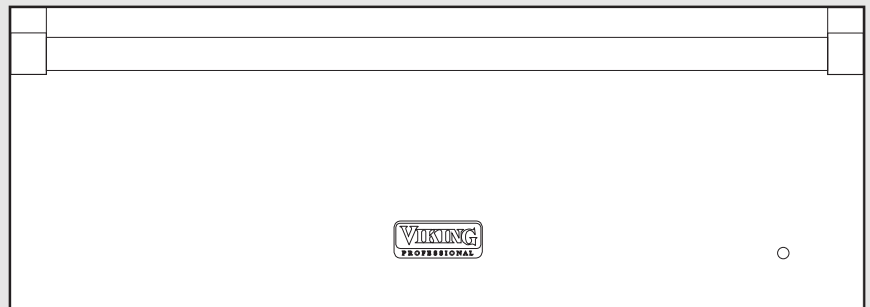


Viking Installation Guide



Professional/Custom Panel Built-In
Electric Warming Drawers

Table of Contents

Warnings & Important Safety Instructions _____	3
Dimensions _____	4
Specifications _____	5
Cutout Dimensions _____	6
Electrical Requirements _____	7
General Information _____	8
Installation _____	9
Final Preparation _____	10
Service & Registration _____	11

IMPORTANT— Read and Follow!

- Before beginning, please read these instructions completely and carefully.

Your safety and the safety of others is very important.

We have provided many important safety messages in this manual and on your appliance. Always read and obey all safety messages.



This is the safety alert symbol. This symbol alerts you to hazards that can kill or hurt you and others.

All safety messages will be preceded by the safety alert symbol and the word “DANGER,” “WARNING” or “CAUTION.” These words mean:

DANGER

Hazards or unsafe practices which WILL result in severe personal injury or death

WARNING

Hazards or unsafe practices which COULD result in severe personal injury or death

CAUTION

Hazards or unsafe practices which COULD result in minor personal injury or property damage.

All safety messages will identify the hazard, tell you how to reduce the chance of injury, and tell you what can happen if the instructions are not followed.

- **DO NOT** remove permanently affixed labels, warnings, or plates from product. This may void the warranty.
- All local and national codes and ordinances must be observed. Installation must conform with local codes.

- The installer must leave these instructions with the consumer who should retain for local inspector’s use and for future reference.

WARNING



FIRE AND ELECTRICAL SHOCK HAZARD

To reduce the risk of electric shock and fire, **DO NOT** use a flexible power-supply cord with this appliance.



WARNING

Make sure that incoming voltage is the same as unit rating. An electric rating plate specifying voltage, hertz, wattage, amps, and phase is attached to the product. Wiring the warming drawer with more voltage than it is rated for may cause severe damage to the thermostat, element, and other components. Wiring the warming drawer with less voltage than it is rated for may cause significant decrease in performance.

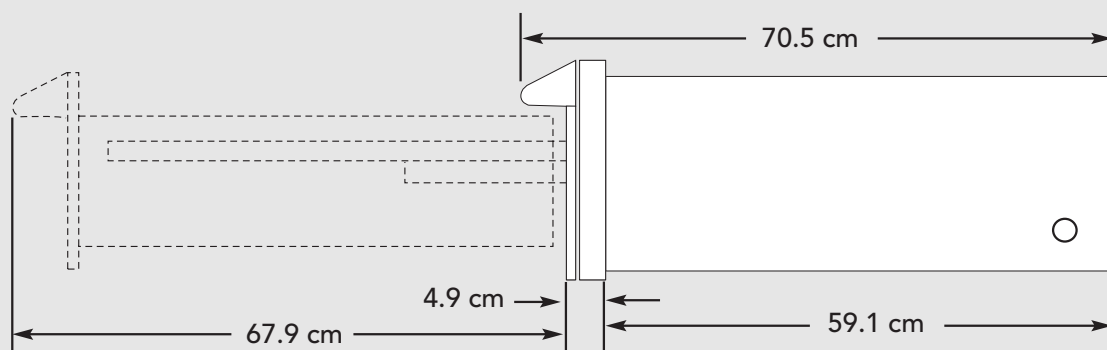
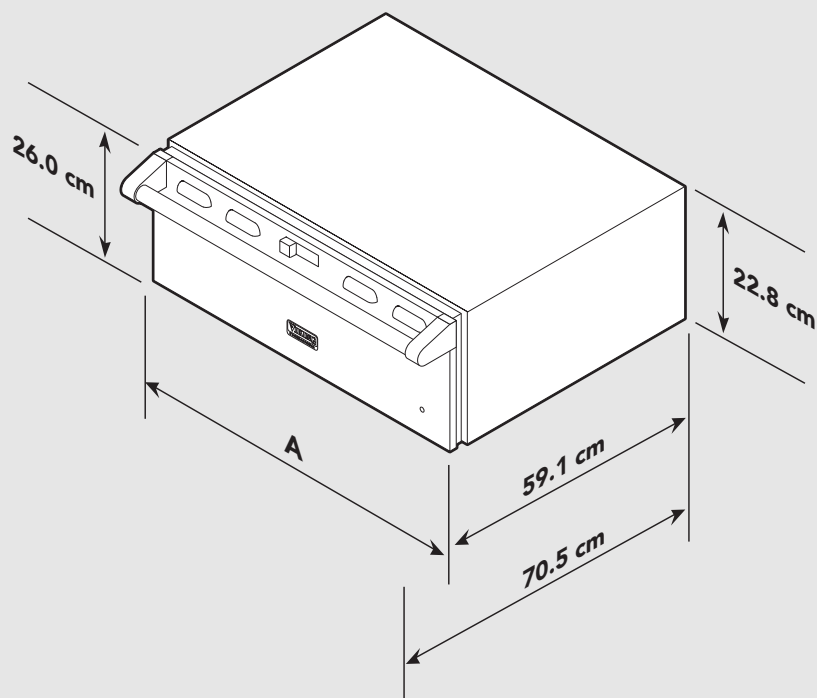
WARNING

To reduce the risk of fire, electric shock, or injury to persons, installation work and electrical wiring must be done by qualified people in accordance with all applicable codes and standards, including fire-rated conditions.

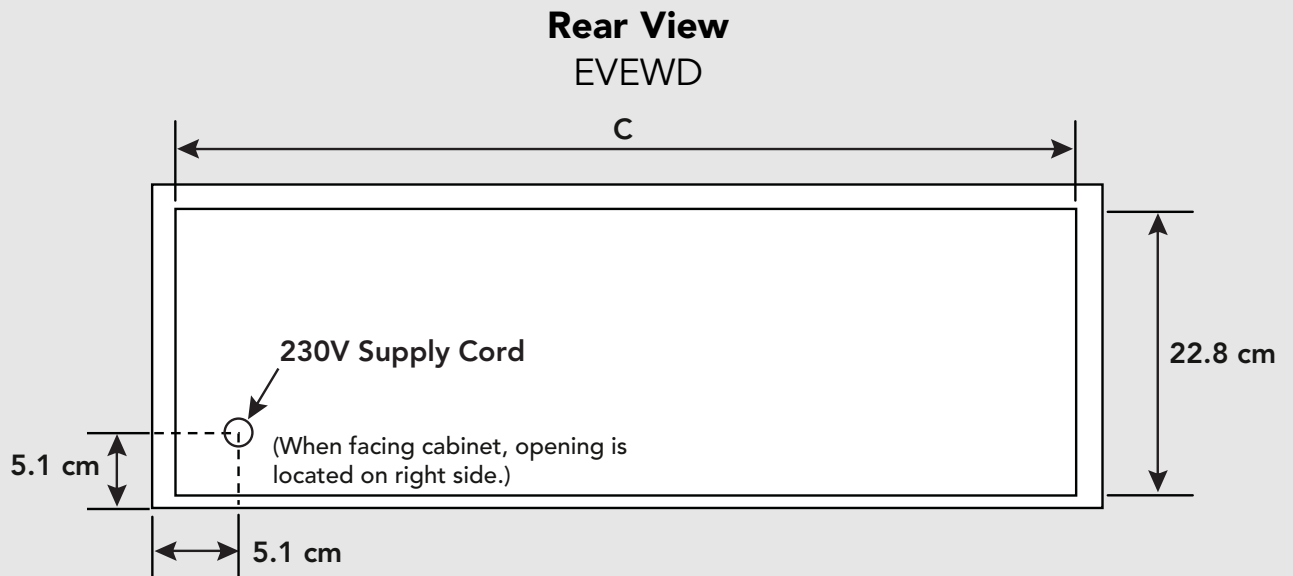
Dimensions

Professional EVEWD527/530/536

	EVEWD527	EVEWD530	EVEWD536
Overall width A	67.3 cm	74.9 cm	89.9 cm



Dimensions

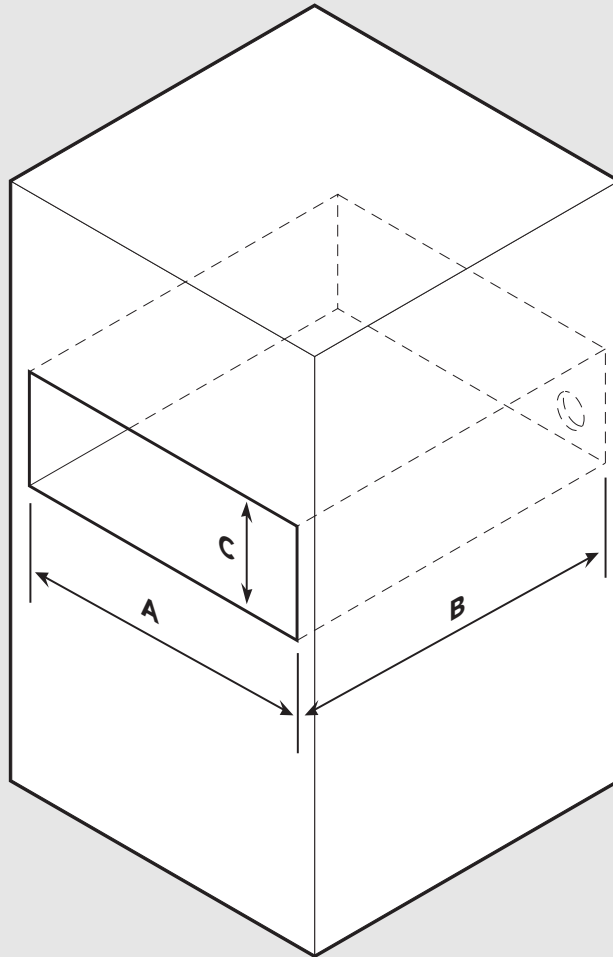


	EVEWD527	EVEWD530	EVEWD536
Overall width C	63.2 cm	70.8 cm	85.4 cm

Specifications

Description	EVEWD527	EVEWD530	EVEWD536
Overall width	67.3 cm	74.9 cm	89.9 cm
Overall height (from bottom)	26.0 cm		
Overall depth (from rear) To end of handle	70.5 cm		
With drawer fully extended	130.5 cm		
Interior width	43.8 cm	52.1 cm	63.5 cm
Interior height	15.2 cm		
Interior depth	27.8 cm		
Electrical Requirements	Equipped with 3-prong grounding European plug; 240 Vac / 50-60 Hz		
Max. Amp Usage	425 watts 1.8 amps	450 watts 1.9 amps	550 watts 2.3 amps
Approx. shipping wt.	36 kg	40.5 kg	49.5 kg

Cutout Dimensions



Professional Models

	EVEWD527	EVEWD530	EVEWD536
Cutout width (A)	64.1 cm	71.8 cm	86.4 cm
Cutout depth (B)	59.7 cm	59.7 cm	59.7 cm
Cutout height (C)	23.5 cm	23.5 cm	23.5 cm

Flush Mount Option:

Note: To install the warming drawer in a flush mount application, a flush mount accessory kit is required and sold separately.

	EVEWD527	EVEWD530	EVEWD536
Cutout width (A)	68.4 cm	76.0 cm	90.5 cm
Cutout depth (B)	64.5 cm	64.5 cm	64.5 cm
Cutout height (C)	27.0 cm	27.0 cm	27.0 cm

Electrical Requirements

Electrical Requirements

A 240 volt, 50-60 Hz, AC only 16 amp fused electrical supply is required. (A time delay fuse or circuit breaker is recommended.) It is recommended that a separate circuit, serving only this appliance, be provided. DO NOT use an extension cord.

	EVEWD527	EVEWD530	EVEWD536
Max. amp usage	425 watts 1.8 amps	450 watts 1.9 amps	550 watts 2.3 amps

Electrical Connection

ELECTRICAL GROUND IS REQUIRED ON THIS APPLIANCE.

WARNING



Electrical shock hazard.

To avoid the risk of electrical shock, personal injury or death; verify electrical power is turned off at the breaker box until the product is installed and ready to operate, installation by an authorized installer only.

General Information

- When installing this unit directly below other units, only install with Viking built-in products.
- Remove warming drawer carefully from carton. Remove all loose packaging and accessories.
- It is the responsibility of the installer to comply with local codes.
- Line disconnect switch, circuit breaker, or plug/receptacle of power cord connection should be readily accessible to the operator.
- Ground unit per applicable electrical codes.
- Any installation not matching the specifications discussed in these instructions will void the manufacturer's warranty.

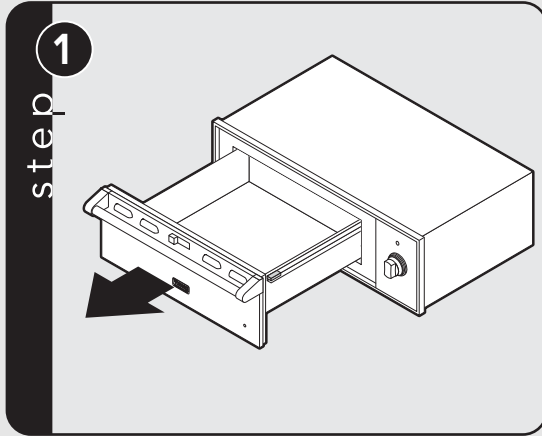
READ AND FOLLOW ALL WARNING AND CAUTION INFORMATION WHEN INSTALLING THIS APPLIANCE.

Moving, Handling and Unpacking

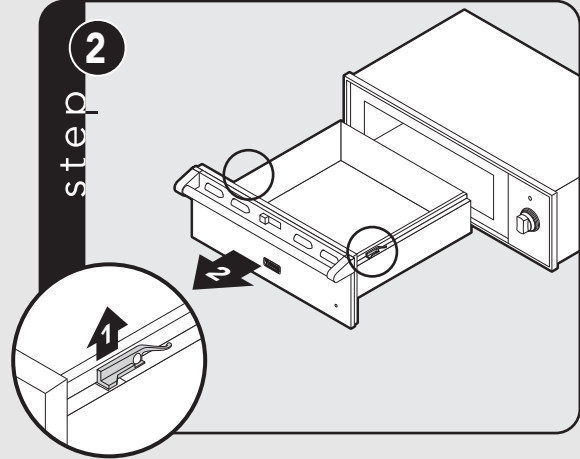
Remove and discard all packing materials, including cardboard and tape on the outside and inside of the warming drawer.

Some stainless steel parts may have a plastic protective wrap which must be peeled off. The interior should be washed thoroughly with hot, soapy water to remove film residues and any dust or debris before being used, then rinsed and wiped dry. Solutions stronger than soap and water are rarely needed.

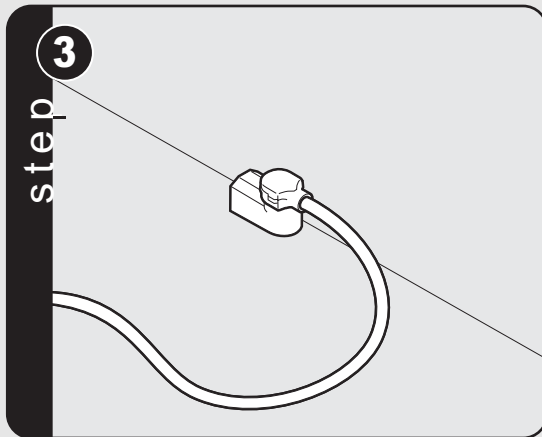
Installation



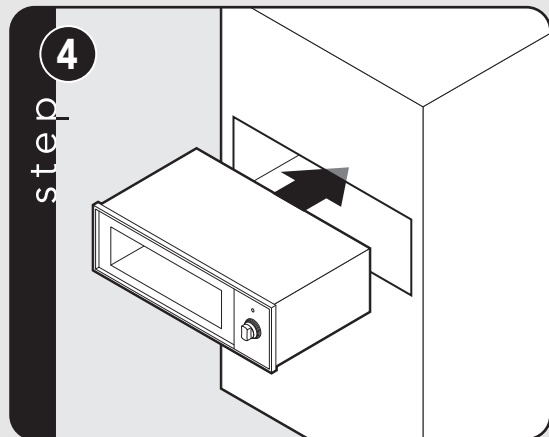
Pull out warming drawer pan until fully extended.



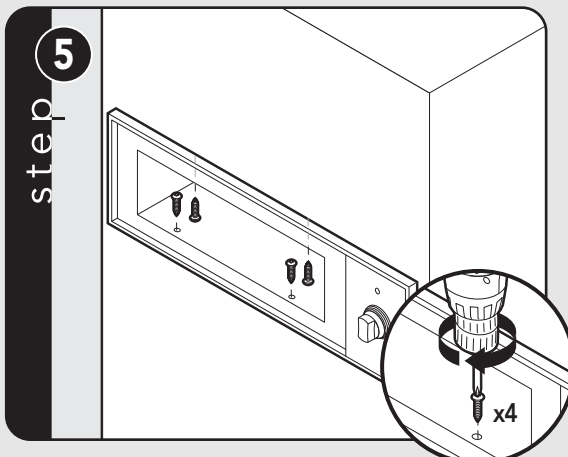
Slide finger along right and left side until you reach the black hand latches (located at the front of the rails). Pull up on both the right and left latches and pull out drawer pan support.



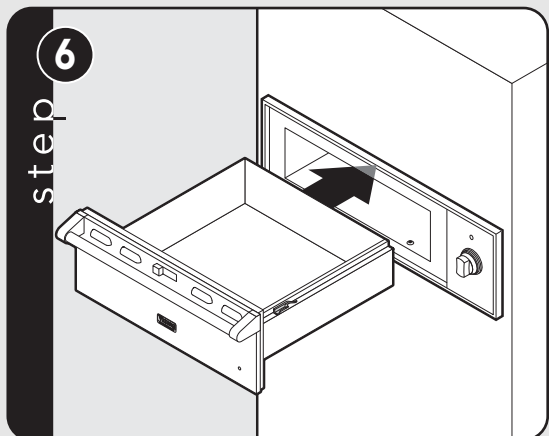
Connect electrical power cord.



Slide cavity assembly into the cabinet opening.



Secure the warming drawer using four #8 mounting screws (four screws provided).



Replace drawer assembly.

Final Preparation

- All stainless steel body parts should be wiped with hot, soapy water and with a liquid cleaner designed for this material. If buildup occurs, **DO NOT** use steel wool, abrasive cloths, cleansers, or powders! If it is necessary to scrape stainless steel to remove encrusted materials, soak with hot, wet cloths to loosen the material, then use a wool or nylon scraper. **DO NOT** use a metal knife, spatula, or any other material tool to scrape stainless steel! Scratches are almost impossible to remove.

Service & Registration

If service is required, call your dealer or authorized service agency. The name of the authorized service agency can be obtained from the dealer or distributor in your area.

Have the following information readily available.

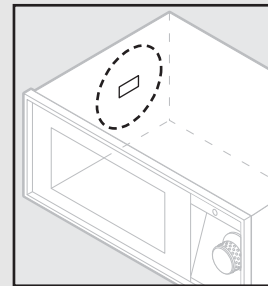
- Model number
- Serial number
- Date purchased
- Name of dealer from whom purchased

Clearly describe the problem that you are having. If you are unable to obtain the name of an authorized service agency, or if you continue to have service problems, contact Viking Range, LLC at (888) 845-4641 or write to:

**VIKING RANGE, LLC
PREFERRED SERVICE
111 Front Street
Greenwood, Mississippi 38930 USA**

Record the information indicated below. You will need it if service is ever required.

The serial number and model number for your appliance can be found by pulling drawer out until it stops and lifting inner lining. Rating/Serial plate is located on the left, rear side.



Model number _____

Serial number _____

Date of purchase _____

Date installed _____

Dealer's name _____

Address _____

If service requires installation of parts, use only authorized parts to insure protection under the warranty.

These installation instructions should remain with the unit for future reference.

Viking Range, LLC
111 Front Street
Greenwood, Mississippi 38930 USA
(662) 455-1200

For product information,
call 1-888-(845-4641)

or visit the Viking Web site at vikingrange.com

