



Stainless Solid



Stainless Frame

Key Features

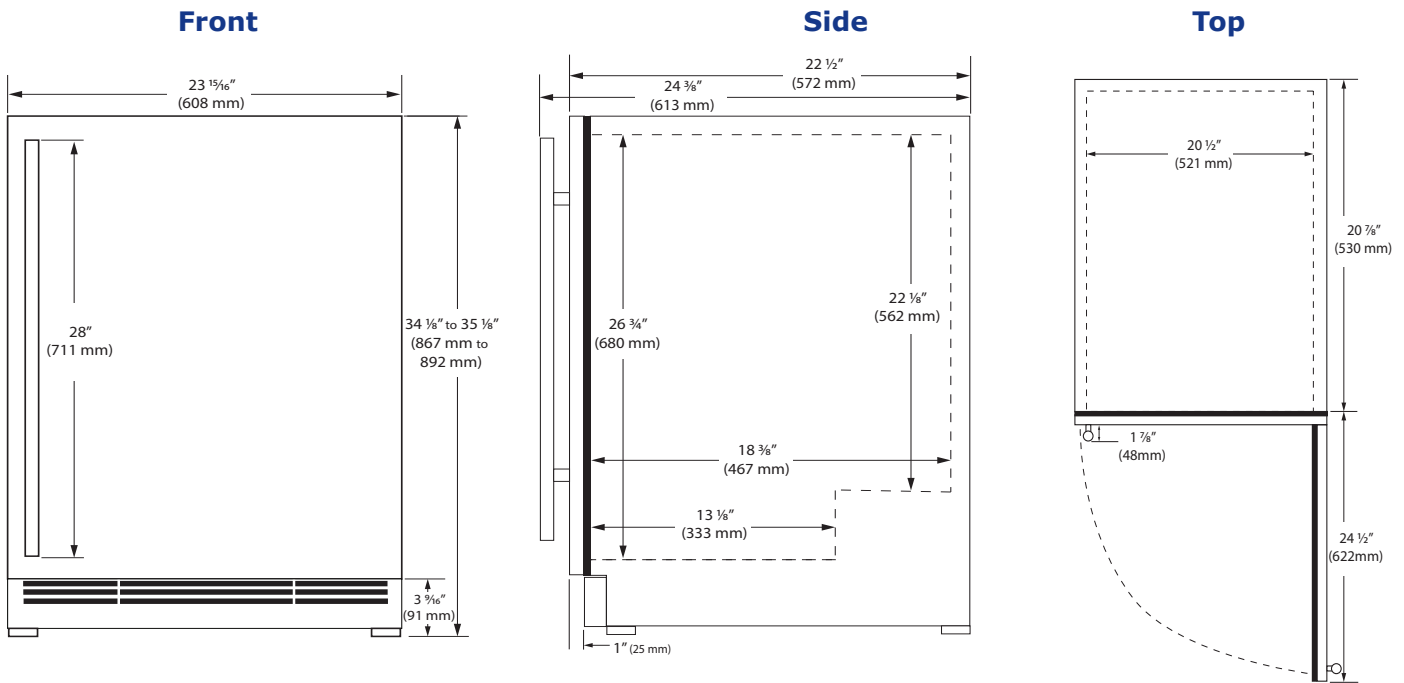
- Convection cooling system provides a quick cool down and consistent temperature
- Extended lower interior maximizes storage options
- Digital touch pad control with blue LED display
- Stainless steel grille, and full-wrap door
- Volume of 161 L holds up to 117 bottles (12 oz) or 194 cans (12 oz) and 6 wine bottles (750 ml)
- Temperature range (solid door): 1°C - 8°C
- Temperature range (glass door): 2°C - 14°C
- Bright white LED lighting
- Black interior
- Three adjustable tempered glass shelves
- Stainless steel handle
- Field reversible door is shipped right-hand hinged
- Built-in or freestanding
- Four adjustable leveling legs

Model Details

Model	Voltage/Hz	Door Swing	Finish	Shipping Weight
UHBV024-SG02A	230 / 50	Field Reversible	Stainless Frame	124 lb / 56.2 kg
UHBV024-SS02A	230 / 50	Field Reversible	Stainless Solid	110 lb / 49.9 kg

Accessories

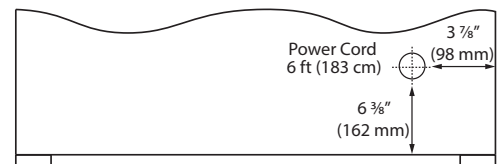
Model	Description	Finish	Shipping Weight
ULAFREESTANDB	Freestanding Kit	Black	3 lb / 1.4 kg
U-POWERCORD-2056	Power Cord 220 - 240 V Great Britain/Ireland	N/A	N/A
U-POWERCORD-2256	Power Cord 220 - 240 V Australia/New Zealand	N/A	N/A
U-POWERCORD-2667	Power Cord 220 - 240 V Continental Europe	N/A	N/A
U-POWERCORD-3071	Power Cord 220 - 240 V China	N/A	N/A
U-POWERCORD-3111	Power Cord 220 - 240 V India	N/A	N/A



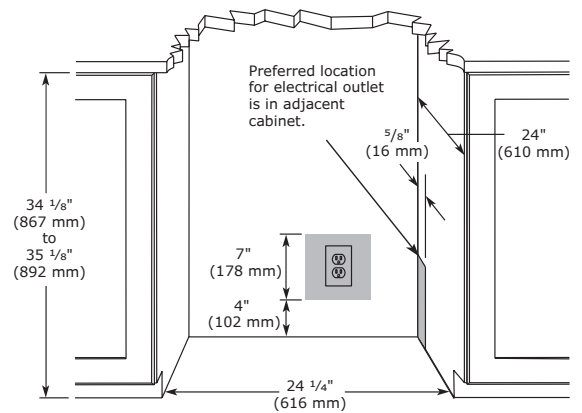
Specifications

Model	HBV024
Amps: Running	1.2
Capacity: Volume (L)	161
Dimensions: Product Depth	22 1/2" / 572 mm
Dimensions: Product Height	34 1/8" / 867 mm
Dimensions: Product Width	23 15/16" / 608 mm
Energy Consumption: Avg. Per Year	310 kWh
Refrigerant Type:	R600a
Energy Efficiency Class	F
Climate Class	SN - N - ST
Noise Emissions	D
Foam Blowing Agent	HFO-1233zd(E)

Back



Cabinet Cut-Out



Installation Notes

- No additional clearance is needed for ventilation
- Do not obstruct front grille air flow
- Must be installed in a climate controlled environment and operate within the temperatures designated in this product's User Guide.



Please visit u-line.com to view this model's User Guide & Service Manual. All Specifications are subject to change without notice.

8900 North 55th Street • Milwaukee, Wisconsin 53223 USA • +1.414.354.0300 • sales@u-line.com • u-line.com