

**PRODUCT  
SPEC SHEET**

Showroom  
collection:  
Evolution 150 food  
waste disposer

S H O W R O O M  
C O L L E C T I O N



**Special edition**

# Evolution 150 food waste disposer

The special edition version of our quiet and powerful food waste disposer is specially built for large households and growing families. It stands out from the crowd and features a brand-new black trim shell and a premium stainless steel sink stopper with cover. The Evolution 150 is supplied with built-in air switches in black, chrome and brushed steel and is supported by a 7 year parts and service guarantee.

## Features

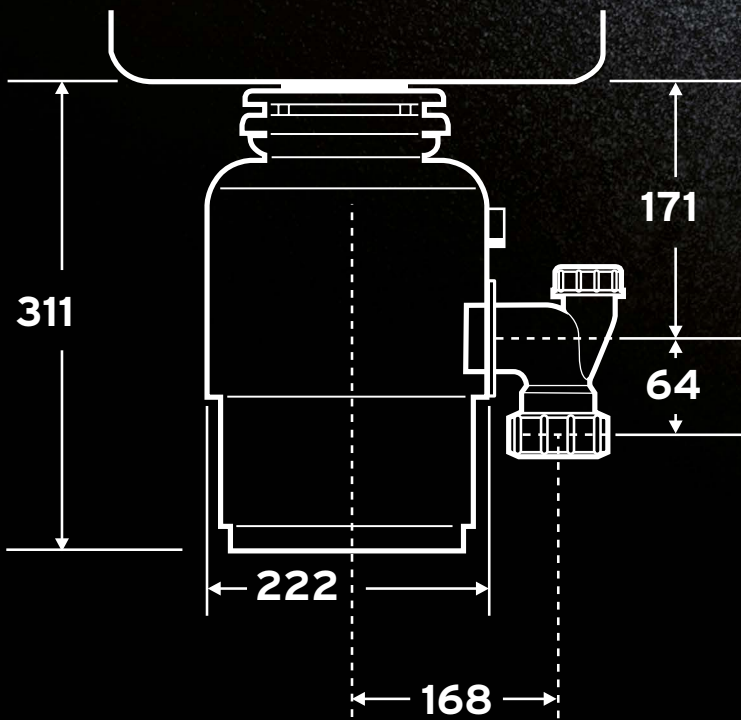
- Built-in air switch in matte black, chrome and brushed steel
- Compact design
- 7 year guarantee
- Evolution quiet technology
- Evolution 2-stage grind technology
- Auto-reverse grinding action
- High-torque Dura-Drive™ induction motor
- Stainless steel grind elements and grind chamber
- Overload protection
- Quick Lock® mounting assembly for faster, easier installation



**PRODUCT  
SPEC SHEET**

Showroom  
collection:  
Evolution 150 food  
waste disposer

**Dimensions (mm)**



**Compatible with Cover control**



For those who prefer the on/off switch built right into the disposer cover, InSinkErator offers the cover control accessory. It's just right for efficient batch feed operation. (Not available in all markets.)

**Specifications (mm)**

Type of feed	Continuous
On/Off Control	Wall switch or built-in air switch
Motor	Single phase
Reversing	Auto-reverse grind system
Time Rating	Intermittent
Lubrication	Permanently lubricated upper & lower bearings
Shipping Weight (Approx.)	10.0kg
Unit Finish	Black
Overall Height	311mm
Grind Technology	2-stage grind technology
Sound Technology	Anti-vibration mounting and Tailpipe Quiet Sink Baffle Multi layer sound insulation Stainless steel strainer basket & plug
Grind Chamber Capacity	1005ml
Motor Protection	Manual reset overload
Average Water Usage	Approximately 4.0L per person per day
Average Electrical Usage	3-4KWH per annum
Drain Connection	1-1/2" (3.81cm) Anti-Vibration (Hose Clamp)
Dishwasher Drain Connection	Yes

Volts/Hz	HP	RPM	Average Load
220-240V, 50-60Hz	.75 (@240V/50Hz)	1425	380 W



InSinkErator  
Suite 10, Building 6  
Hatters Lane  
Croxley Green Business Park  
Watford, Herts WD18 8YH  
United Kingdom  
Sales tel: (0) 1 923 297 880  
Service tel: (0) 800 389 3715  
www.insinkerator.co.uk

InSinkErator  
Emerson Electric Co.  
4700 21st Street  
Racine, WI 53406-5093 USA  
Sales/Service tel: 262-554-5432  
www.insinkerator.com/worldmap.html

