



Integrated Refrigeration Installation Guide

BUILT-IN REFRIGERATION

Table of Contents

SAFETY INSTRUCTIONS03

Before Installation06

Choosing the Install Location	06
Anti-tip Devices	06
Enclosure	07
Floor	07
Electrical Requirements	07
Grounding	08
Water Connection	08
Installation options	09
SKSCF1811P – 18" INTEGRATED FREEZER COLUMN	
SKSCW182RP – 18" INTEGRATED WINE COLUMN.....	10
SKSCF2411P – 24" INTEGRATED FREEZER COLUMN	
SKSCR2411P – 24" INTEGRATED REFRIGERATOR	
COLUMN	
SKSCW242RP – 24" INTEGRATED WINE COLUMN.....	12
SKSCF3011P – 30" INTEGRATED FREEZER COLUMN	
SKSCR3011P – 30" INTEGRATED REFRIGERATOR	
COLUMN.....	14
SKSCF1811P – 18" INTEGRATED FREEZER COLUMN	
SKSCW182RP – 18" INTEGRATED WINE COLUMN.....	16
SKSCF2411P – 24" INTEGRATED FREEZER COLUMN	
SKSCR2411P – 24" INTEGRATED REFRIGERATOR	
COLUMN	
SKSCW242RP – 24" INTEGRATED WINE COLUMN.....	18
SKSCF3011P – 30" INTEGRATED FREEZER COLUMN	
SKSCR3011P – 30" INTEGRATED REFRIGERATOR	
COLUMN.....	20

Installation.....23

Unpacking	24
Moving the Appliance	25
Special Circumstances.....	25
Product Dimensions	26

A

Installing the Anti-tip Brackets	29
Protecting Edges of Enclosure.....	30
Installing Appliance in Enclosure.....	31

B

Aligning and Leveling the Appliance	32
Attaching Appliance to Enclosure.....	34
Attaching the Toe Kick Panel	35
Loading the Appliance Door	36

C

Installing Door Panels	37
Adjusting Door Panels.....	38
Installing Door Trim	38
Attaching Air Separator	39

Special Installations39

Optional Frame Kit Accessory	39
Adjusting the Door Spring	40
Adjusting the Door Stop	40
Water Filter Bypass	40
Side-by-Side Flush Installation.....	45
Preparing to Connect the Water Line	47
Connecting Water Line.....	47
Attaching the Badge.....	48

SAFETY INSTRUCTIONS

IMPORTANT SAFETY INSTRUCTIONS

This guide contains many important safety messages.

Always read and obey all safety messages.

This is the safety alert symbol. It alerts you to safety messages that inform you of hazards that can kill or hurt you or others or cause damage to the product.

All safety messages will be preceded by the safety alert symbol and the hazard signal word WARNING, or CAUTION. These words mean:



WARNING

You may be killed or seriously injured if you don't follow instructions.



CAUTION

Indicates an imminently hazardous situation which, if not avoided, may result in minor or moderate injury, or product damage.

All safety messages will identify the hazard, tell you how to reduce the chance of injury, and tell you what can happen if the instructions are not followed.



WARNING

TIP-OVER HAZARD

Use two or more people to move and install the refrigerator. To prevent the refrigerator from tipping over, install anti-tip brackets (provided). Failure to follow the refrigerator installation instructions can result in serious injury or death.



WARNING

To reduce the risk of fire, electric shock, or personal injury when using the product, basic safety precautions should be followed, including the following. Read all instructions before using this appliance.

Installation

- These products are not designed to be used as freestanding units. Doing so will result in a risk of tipover, personal injury, and product or property damage.
- Do not install the refrigerator near a gas stove, water heater or other source of ignition that may possibly leak gas. Do not install product in direct sunlight. Install the product in a well-ventilated area.
- Ensure that enclosure dimensions allow for sufficient air circulation at the sides and back of the product. Do not block the front air inlet. Failure to follow these instructions may cause product malfunction.
- Enclosure must be constructed of materials which are strong enough to avoid damage during installation and frequent use.

- Cabinet materials must be able to withstand the heat and humidity produced during product operation and use without twisting or deforming.
- Install the product on a firm, level surface that can support the weight of the product without bending. The product must be level both horizontally and vertically.
- Keep children away from area during installation.
- Do not use an extension cord or power strip with this product.
- Do not install the refrigerator in a damp location or where it will be exposed to running water. Deterioration of the insulation on electrical parts may result, causing risk of electric shock.
- Connect to potable water only. Non-potable water can cause health risks.
- If connected to a circuit protected by fuses, use time delay fuse.

Electrical Connection

Use a dedicated outlet.

- Plugging several devices into one outlet may cause a fire.

Plug in the power plug with the power cord facing downward.

Failure to do so could damage the plug or cord, resulting in fire or electric shock.

When installing or moving the refrigerator, be careful not to roll over or damage the power cord. Do not squeeze or crush the cord or plug when pushing the refrigerator in. Doing so could result in fire or electric shock.

Do not allow the power cord to be bent, crushed, or damaged. Do not run the power cord under heavy objects like furniture, other appliances, or through high-traffic areas. Doing so may damage the power cord and result in fire or electric shock.

Do not extend or modify the length of the power cord.

Use only an exact factory replacement part to avoid electrical issues, fire, or electric shock.

Turn off the power before cleaning or moving the refrigerator.

- Failure to do so may cause electric shock or injury.
- Press the POWER button for 3 seconds to turn off the power at display panel.

Do not pull out the cord or touch the power plug with wet hands.

Doing so may cause electric shock or injury.

Remove water or dust from the power plug and insert it securely into the wall socket.

Dust, water, or a loose connection may cause a fire or electric shock.

Do not unplug the refrigerator by pulling on the cord.

Doing so may cause electric shock or short circuit resulting in a fire.

Do not use the power cord or the power plug if it is damaged or if the outlet is damaged.

Doing so may cause electric shock or short circuit resulting in a fire.

Wait for 5 minutes or longer when reconnecting the plug or turning the power back on.

Give the compressor time to cycle before restarting.

If the supply cord is damaged, it must be replaced by the manufacturer or its service agent or a similarly qualified person in order to avoid a hazard.

CAUTION

Do not remove the cover of the automatic ice dispenser.
The internal mechanism of the icemaker can cause injury if handled.

Do not stick your hands under the refrigerator.
Sharp edges, fans, and wires may cause an injury

Save these instructions for the local inspector's use.

Observe all governing codes and ordinances.

Installer: Leave these instructions with the consumer.

Consumer: Keep these instructions with the owner's manual for future reference.

General

These installation instructions are intended for use by qualified installers. All connections for water, electrical power and grounding must comply with local codes and ordinances and be made by licensed personnel when required. In the absence of a local code:

- In the U.S.A., in accordance with the National Electric Code, ANSI/NFPA70 – latest edition/State and Municipal codes and/or local codes.
- In Canada, in accordance with the Canadian Electric Code C22.1 – latest edition/Provincial and Municipal codes and/or local codes.

Before Installation

WARNING

Do not store or install the appliance where it will be exposed to:

- outside weather
- water damage
- temperatures under 32°F (0°C)

Choosing the Install Location

Temperature and Humidity

The appliance should be installed in a dry, well ventilated area.

The ambient temperature should stay between 55 °F(13 °C) and 110 °F (43 °C), to avoid malfunctions.

Do not install product where it will be exposed to direct sunlight or near a heat source, such as an oven or radiator.

Anti-tip Devices

WARNING: Tip Hazard

- The appliance is very heavy and may tip over if the door is opened before the appliance is securely installed.
- Install the supplied anti-tip brackets to prevent the appliance from tipping. The safest method of installing the appliance in a stable position is to use the supplied anti-tip devices.
- Do not open the appliance door unless it is still on the pallet or the anti-tip brackets are engaged.

If the enclosure is sturdy enough, attaching the appliance to the upper and side walls of the enclosure may provide additional stability, as long as the enclosure is firmly connected to the back wall. If in doubt, contact an architect or structural engineer.

Enclosure

- The panel above the appliance must be made from a solid material (not MDF) that is at least 5/8" (16 mm) thick.
- The side walls of the cavity or enclosure must be flush.
- The front 4 inches (100 mm) of the interior surface (furniture return) will be visible when doors are open. Make sure this area is finished to at least 4 inches deep.
- Follow the specifications for the installation enclosure to ensure a trouble free installation.
- Above all, the enclosure cannot be out of square. Use a spirit level or measure the diagonals of the opening to make sure corners are square.
- The appliance is attached at the sides and the top to either the enclosure or to adjacent cabinets. Make sure the enclosure or the adjacent cabinets are securely connected to the floor or wall structures.

Floor

WARNING

- The floor in the installation area must be firm, level, and rigid for safe installation and best performance.
- Do not install the appliance on a platform or raised structure.
- The structure underneath the appliance must be able to support the weight of the appliance without tilting or flexing.
- For best performance and to avoid leakage, level the appliance.

Electrical Requirements

WARNING

Electrical Shock Hazard

- Plug into a grounded 3 prong outlet.
- Do not remove ground prong.
- Do not use an adapter.
- Do not use an extension cord.

Failure to follow these instructions can result in death, fire, or electrical shock.

Follow all state and local codes or NEC.

The appliance comes with a UL listed 3 wire power supply cord.

The appliance requires a 3-wire receptacle.

The receptacle must be installed by a licensed electrician only.

Grounding

This appliance must be grounded. In the event of a malfunction or breakdown, grounding will reduce the risk of electric shock by providing a path of least resistance for the electric current. **WARNING:** Improper connection of the equipment grounding conductor may result in electric shock. Have the appliance checked by a qualified electrician or service technician if you are in doubt as to whether the appliance has been properly grounded.

NOTE

Some local regulations may require a separate ground. In such cases, the required ground wire, clamp and screw are available as a separate accessory and must be purchased separately.

Never ground the appliance to plastic plumbing lines, gas lines or water pipes.

Water Connection

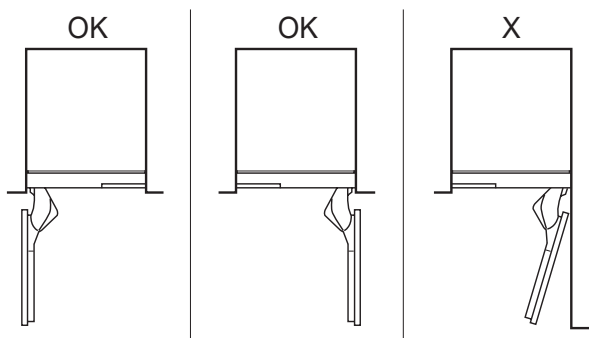
CAUTION

- Connect the appliance to potable water only.
- A cold water connection is required for operation of the automatic ice maker. The water pressure must be between 20 and 120 psi. (1.38-8.27).
- The installation must comply with local plumbing regulations.
- A separate shut-off valve must be installed for the appliance water connection.
- Do not use a self-piercing valve.
- Do not install the shutoff valve for the water behind the appliance. The shutoff valve must be easily accessible.
- Install the water connection in the area shown in the diagram under Dimensions and Clearances. The water supply line can be located on the right side, on the left side, or in the floor. The maximum outer diameter of the supply line (without fittings) is 3/8" (9.5 mm).

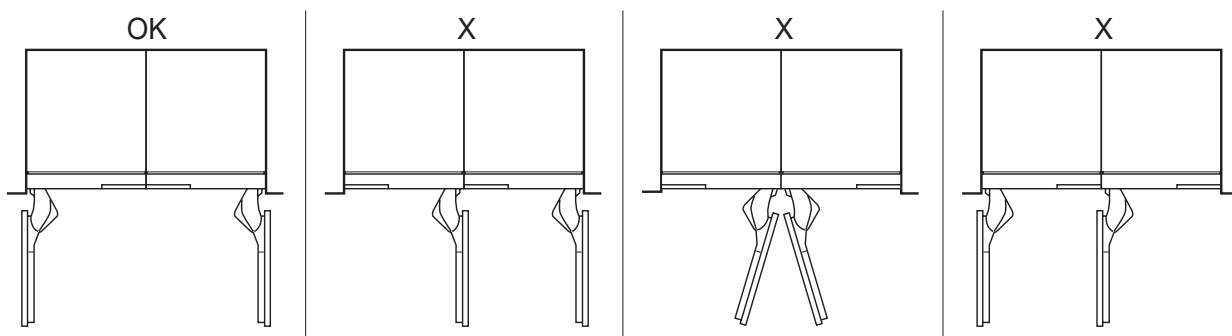
Installation options

There are many different installation options. These are limited only by the design of the kitchen.

Individual Appliance

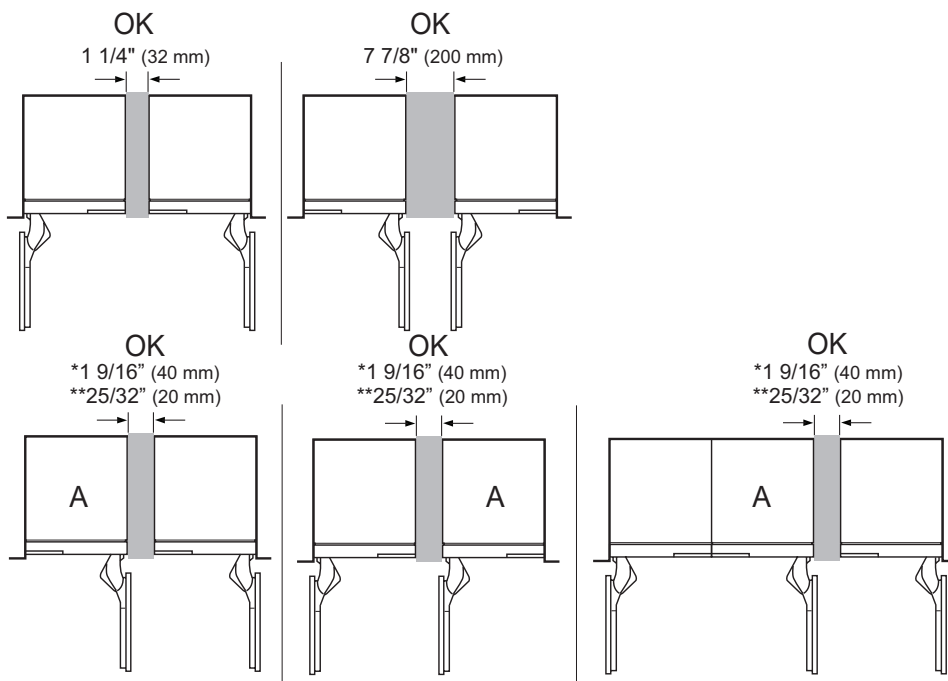


Side-by-Side (Pair)



Individual Appliances with Partition

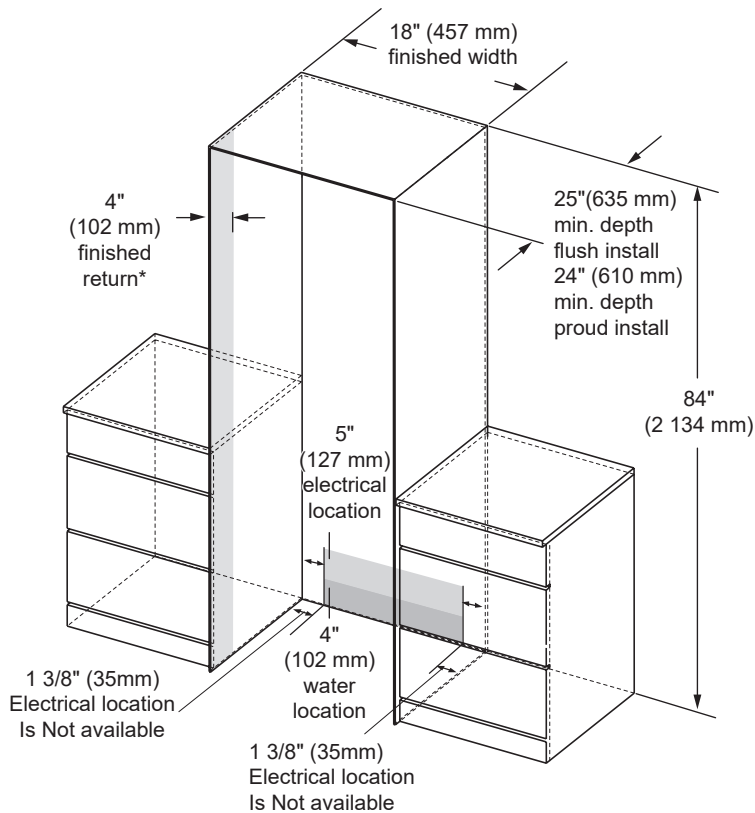
Minimum thickness of the partition 5/8" (16 mm)



* When not using 90° door stop pin
 ** When using 90° door stop pin on the A product

SKSCF1811P – 18" INTEGRATED FREEZER COLUMN SKSCW182RP – 18" INTEGRATED WINE COLUMN

CUTOUT DIMENSIONS – FLUSH OR PROUD INSTALLATION, SINGLE COLUMN



NOTE

Freezer/Wine column can be installed flush or proud.

Flush – With a 25" (635 mm) cutout depth, the front face of the freezer/wine column fits flush with 25" (635 mm) depth adjacent cabinets.

Proud – With a 24" (610 mm) depth cutout, the front face of the freezer/wine column extends approximately 3/4" (19 mm) beyond 24" (610 mm) depth adjacent cabinets.

- A minimum 4" (102 mm) finished return that matches the cabinet exterior is recommended on all sides and the top of the cutout opening. The shaded area will be visible after installation.

ELECTRICAL

A 230V, 50Hz, 7.5 or 10 amp power supply is required. An individual, properly grounded branch circuit or circuit breaker is recommended. Install a properly grounded 3-prong electrical receptacle recessed into the back wall. Electrical must be located on rear wall as shown.

Note: GFI (ground fault interrupter) is not recommended.

WATER LINE

A cold water supply is required for automatic icemaker operation.

The water pressure must be between 20 and 120 psi.

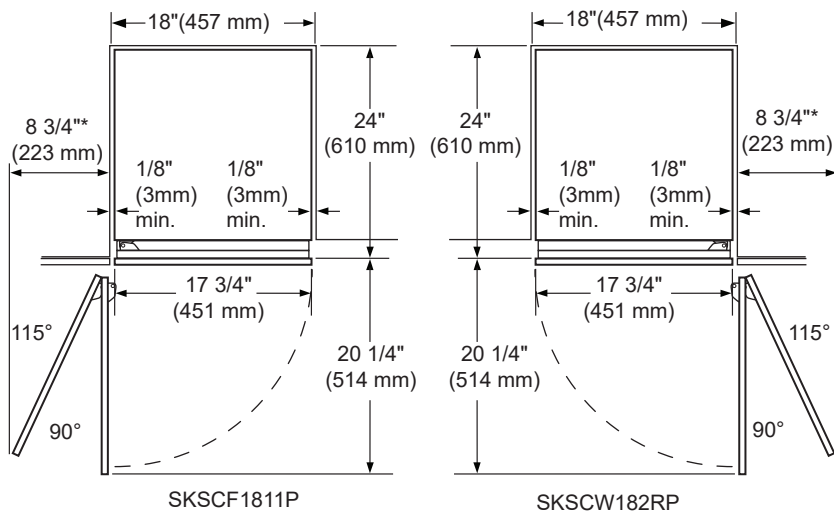
Tubing should be long enough to extend to the front of the freezer. Allow enough tubing to accommodate a bend leading into the water line connection.

Water line can enter an opening through the floor or back wall.

Install a shut-off valve between the icemaker water valve and the cold water supply in the home.

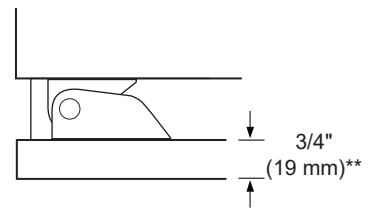
INSTALLATION CLEARANCES

TOP VIEW



*Door handle must be added to this dimension.

**Varies depending on the thickness of the custom cabinet panel. The door panels in the optional Signature Kitchen Suite stainless steel door panel kit are 3/4" (19 mm) thick.



NOTE

Door Swing Clearances

The installation must allow for clearances to adjacent walls or cabinets. This freezer/wine column is equipped with a 2-position door stop.

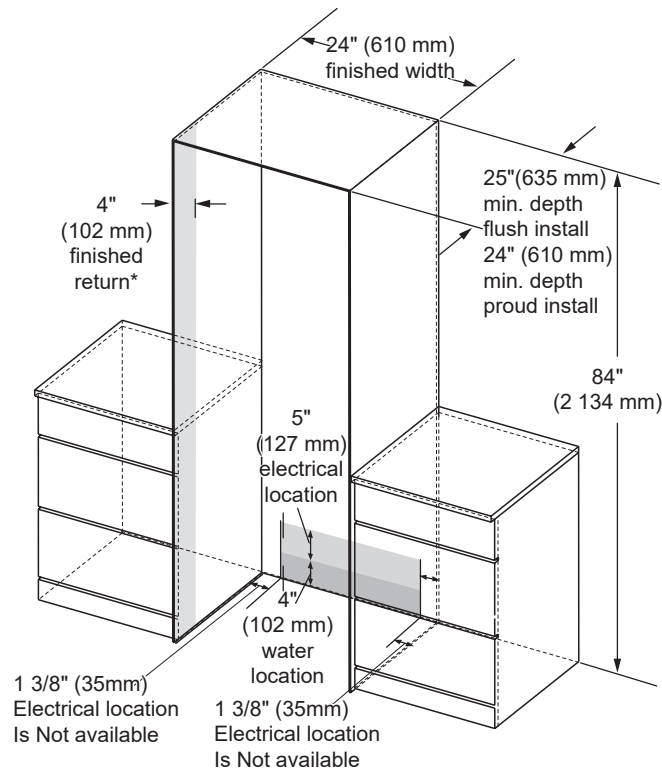
The factory-set 115° door swing can be adjusted to 90° if clearance to adjacent cabinets or walls is restricted.

Door Handle Clearances

The door handle depth must be added to the dimension where noted to determine the total clearance required from adjacent cabinets or walls. This clearance will vary depending on the custom handle used. When using Signature Kitchen Suite handles or the Signature Kitchen Suite stainless steel door panel kit with handles (optional accessories), the door handle clearance with the door open 115° is 11" (279 mm).

SKSCF2411P – 24" INTEGRATED FREEZER COLUMN
 SKSCR2411P – 24" INTEGRATED REFRIGERATOR COLUMN
 SKSCW242RP – 24" INTEGRATED WINE COLUMN

CUTOUT DIMENSIONS – FLUSH OR PROUD INSTALLATION, SINGLE COLUMN



NOTE

Freezer/Wine / Refrigerator column can be installed flush or proud

Flush – With a 25" (635 mm) cutout depth, the front face of the freezer/wine column fits flush with 25" (635 mm) depth adjacent cabinets.

Proud – With a 24" (610 mm) depth cutout, the front face of the freezer/wine column extends approximately 3/4" (19 mm) beyond 24" (610 mm) depth adjacent cabinets.

- A minimum 4" (102 mm) finished return that matches the cabinet exterior is recommended on all sides and the top of the cutout opening. The shaded area will be visible after installation.

ELECTRICAL

A 230V, 50Hz, 7.5 or 10 amp power supply is required. An individual, properly grounded branch circuit or circuit breaker is recommended. Install a properly grounded 3-prong electrical receptacle recessed into the back wall. Electrical must be located on rear wall as shown.

Note: GFI (ground fault interrupter) is not recommended.

WATER LINE

A cold water supply is required for automatic icemaker operation.

The water pressure must be between 20 and 120 psi.

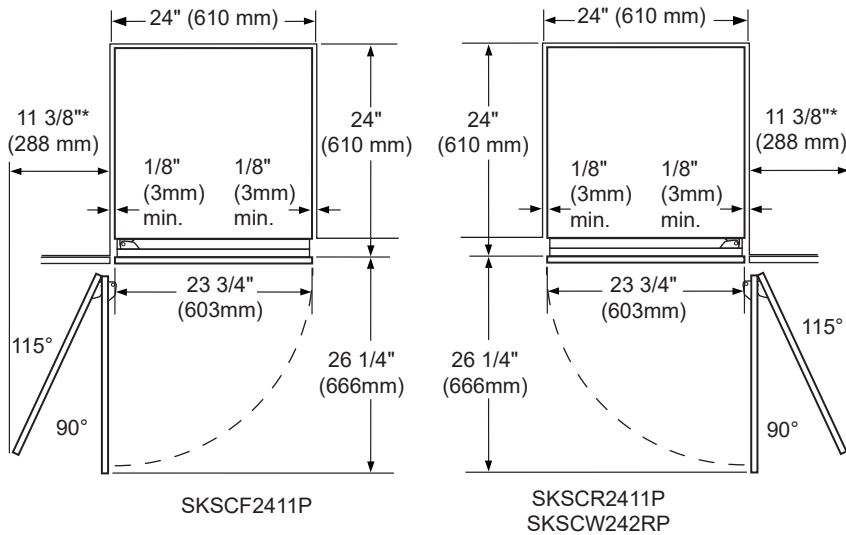
Tubing should be long enough to extend to the front of the freezer. Allow enough tubing to accommodate a bend leading into the water line connection.

Water line can enter an opening through the floor or back wall

Install a shut-off valve between the icemaker water valve and the cold water supply in the home.

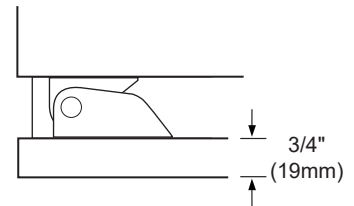
INSTALLATION CLEARANCES

TOP VIEW



*Door handle must be added to this dimension.

**Varies depending on the thickness of the custom cabinet panel. The door panels in the optional Signature Kitchen Suite stainless steel door panel kit are 3/4" (19 mm) thick.



NOTE

Door Swing Clearances

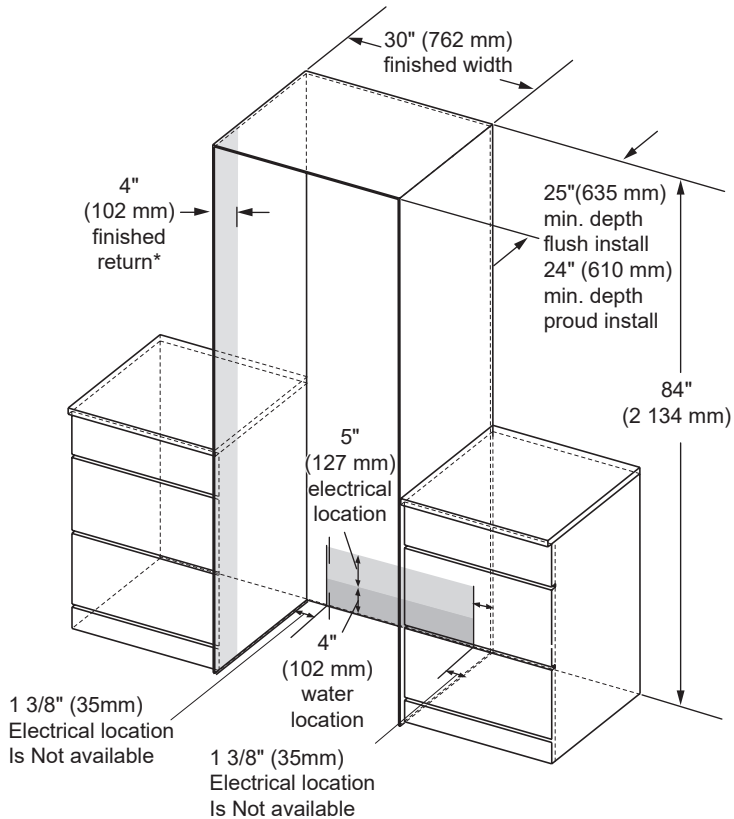
- The installation must allow for clearances to adjacent walls or cabinets. The appliances are equipped with 2-position door stops.
- The factory-set 115° door swing can be adjusted to 90° if clearance to adjacent cabinets or walls is restricted.

Door Handle Clearances

The door handle depth must be added to the dimension where noted to determine the total clearance required from adjacent cabinets or walls. This clearance will vary depending on the custom handle used. When using Signature Kitchen Suite handles or the Signature Kitchen Suite stainless steel door panel kit with handles (optional accessories), the door handle clearance with the door open 115° is 14" (356 mm).

SKSCF3011P – 30" INTEGRATED FREEZER COLUMN SKSCR3011P – 30" INTEGRATED REFRIGERATOR COLUMN

CUTOUT DIMENSIONS – FLUSH OR PROUD INSTALLATION, SINGLE COLUMN



NOTE

Freezer / Refrigerator can be installed flush or proud.

Flush – With a 25" (635 mm) cutout depth, the front face of the refrigerator fits flush with 25" (635 mm) depth adjacent cabinets.

Proud – With a 24" (610 mm) depth cutout, the front face of the refrigerator extends approximately 3/4" (19 mm) beyond 24" (610 mm) depth adjacent cabinets.

*A minimum 4" (102 mm) finished return that matches the cabinet exterior is recommended on all sides and the top of the cutout opening. The shaded area will be visible after installation.

ELECTRICAL

A 230V, 50Hz, 7.5 or 10 amp power supply is required. An individual properly grounded branch circuit or circuit breaker is recommended. Install a properly grounded 3-prong electrical receptacle recessed into the back wall. Electrical must be located on rear wall as shown.

Note: GFI (ground fault interrupter) is not recommended.

WATER LINE

The water pressure must be between 20 and 120 psi.

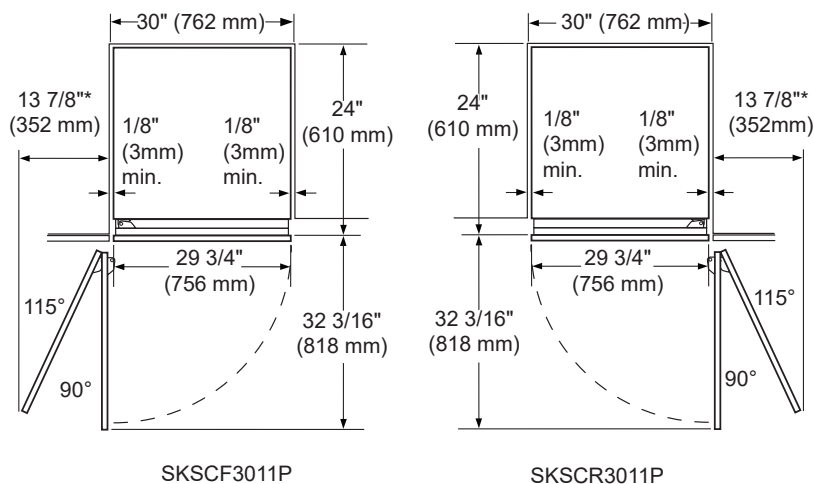
Tubing should be long enough to extend to the front of the refrigerator. Allow enough tubing to accommodate a bend leading into the water line connection.

Water line can enter an opening through the floor or back wall.

Install a shut-off valve between the water valve and cold water supply in the home.

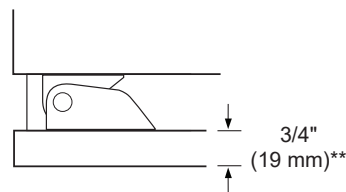
INSTALLATION CLEARANCES

TOP VIEW



*Door handle must be added to this dimension.

**Varies depending on the thickness of the custom cabinet panel. The door panels in the optional Signature Kitchen Suite stainless steel door panel kit are 3/4" (19 mm) thick.



ENGLISH

NOTE

Door Swing Clearances

The installation must allow for clearances to adjacent walls or cabinets. This freezer / refrigerator is equipped with a 2-position door stop. The factory-set 115° door swing can be adjusted to 90° if clearance to adjacent cabinets or walls is restricted.

Door Handle Clearances

The door handle depth must be added to the dimension where noted to determine the total clearances required from adjacent cabinets or walls. This clearance will vary depending on the custom handle used. When using Signature Kitchen Suite handles or the Signature Kitchen Suite stainless steel door panel kit with handles (optional accessories), the door handle clearance with the door open 115° is 16" (406 mm).

SKSCF1811P – 18" INTEGRATED FREEZER COLUMN SKSCW182RP – 18" INTEGRATED WINE COLUMN

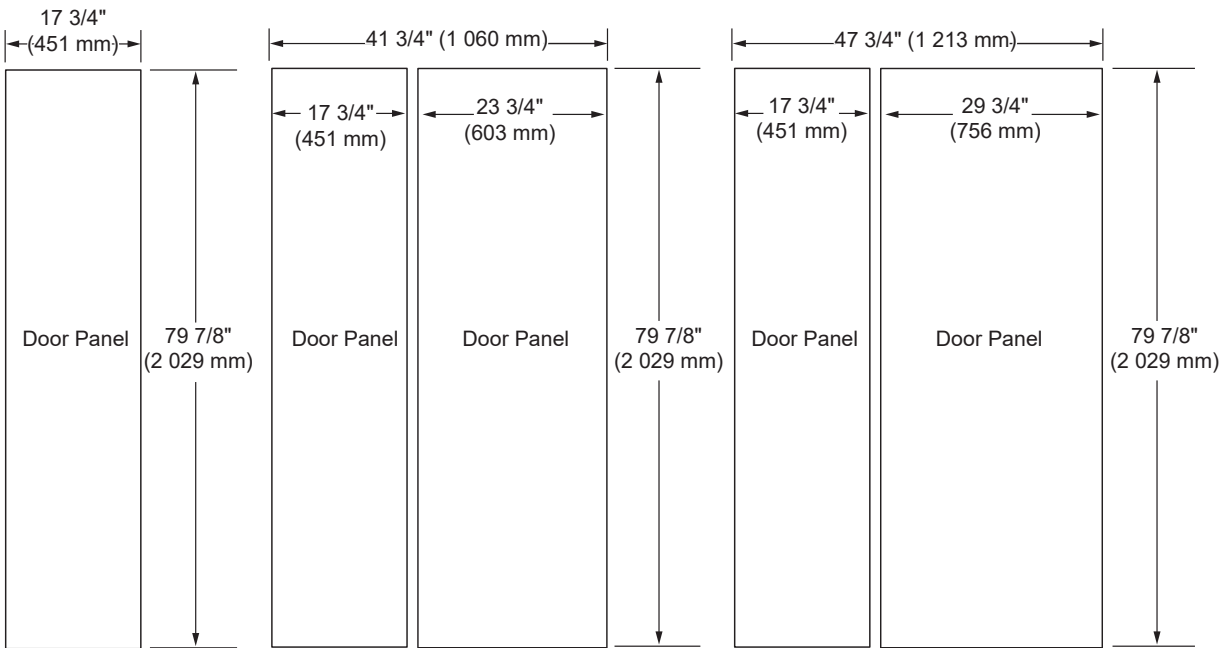
3/4" (19 MM) CUSTOM PANEL DIMENSIONS – FLUSH INSTALLATION

Freezer/Refrigerator Column

SINGLE COLUMN

DUAL 18" AND 24" COLUMN

DUAL 18" AND 30" COLUMN

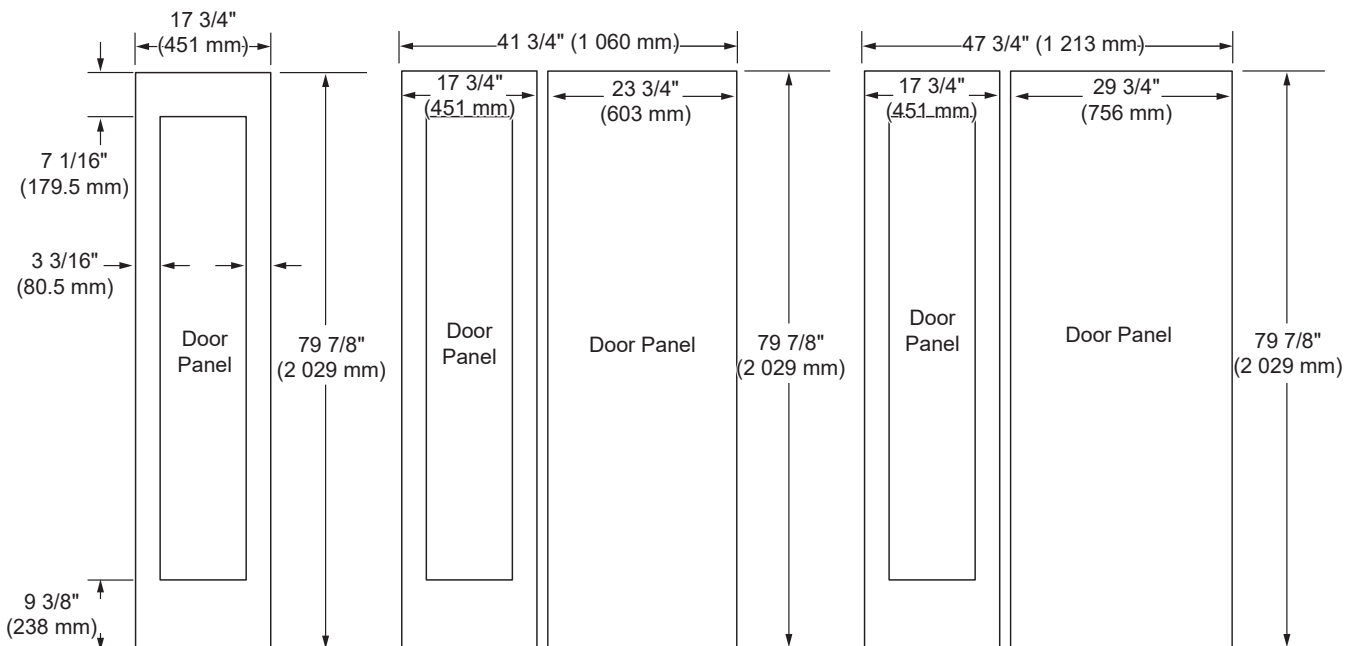


Wine Column

SINGLE COLUMN

DUAL 18" AND 24" COLUMN

DUAL 18" AND 30" COLUMN



NOTES

Trimmed units are designed to be customized with decorative panels. Field-installed 3/4" (19 mm) custom door panels are required.

For custom panels: Use templates provided with units to pre-drill holes for mounting panel brackets (provided with unit). Adjustment screws and instructions also provided with units.

Maximum total door panel weight for 30" column is 64 lb.

Maximum total door panel weight for 24" column is 53 lb.

Maximum total door panel weight for 18" column is 44 lb.

DESIGN TIPS

4" (102 mm) will be visible on the interior sides of the cutout. It is recommended that the interior of the enclosure be finished to match the exterior. For retrofit/replacement installations, the optional frame kit may be used.

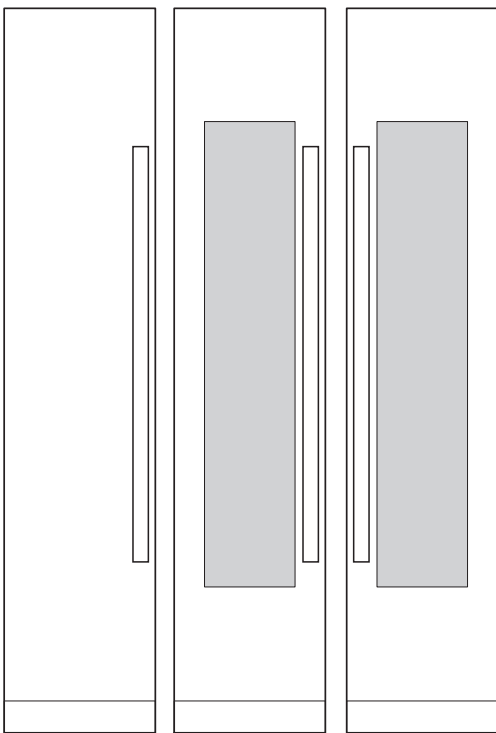
If using custom panels, a custom toe kick is required.

The bottom of the case is unfinished.

Door Handles: Handles are not included with the units.

Custom handles are required for installation. Brushed aluminum handles are available as an optional accessory.

OPTIONAL ACCESSORIES – FLUSH OR PROUD INSTALLATION



SKSPK180CS
SKSPK185CS

SKSWK185LS

SKSWK185RS

SKSPK180CS/SKSPK185CS – STAINLESS STEEL PANEL KIT FOR 18" FREEZER COLUMN

SKSWK185RS/SKSWK185LS – STAINLESS STEEL PANEL KIT FOR 18" WINE COLUMN

This unit can be installed with an optional stainless steel panel kit. The freezer column kit is reversible and can be used in both right hand and left hand door swing installations. The wine column panel kits are not reversible.

SKSFK800CS – FRAME KIT

This unit can be installed in a 24" (610 mm) deep cutout with an optional frame kit. The kit includes two 80" (2 032 mm) brushed aluminum side trim pieces. Each trim piece is 5" (127 mm) deep with a 1/8" (3 mm) front face.

HANDLES FOR USE WITH CUSTOM PANELS

SKSHK310HS – 31 11/16" (805 mm) Medium Brushed Aluminum Handle

SKSHK480HS – 48" (1 219 mm) Long Brushed Aluminum Handle

DESIGN TIPS

The stainless steel panel kit may be used in a flush 25" (635 mm) cutout depth installation or in a proud 24" (610 mm) cutout depth installation.

The optional frame kit is recommended for retrofit/replacement installations where the existing cutout is 24" (610 mm) deep.

SKSCF2411P – 24" INTEGRATED FREEZER COLUMN SKSCR2411P – 24" INTEGRATED REFRIGERATOR COLUMN SKSCW242RP – 24" INTEGRATED WINE COLUMN

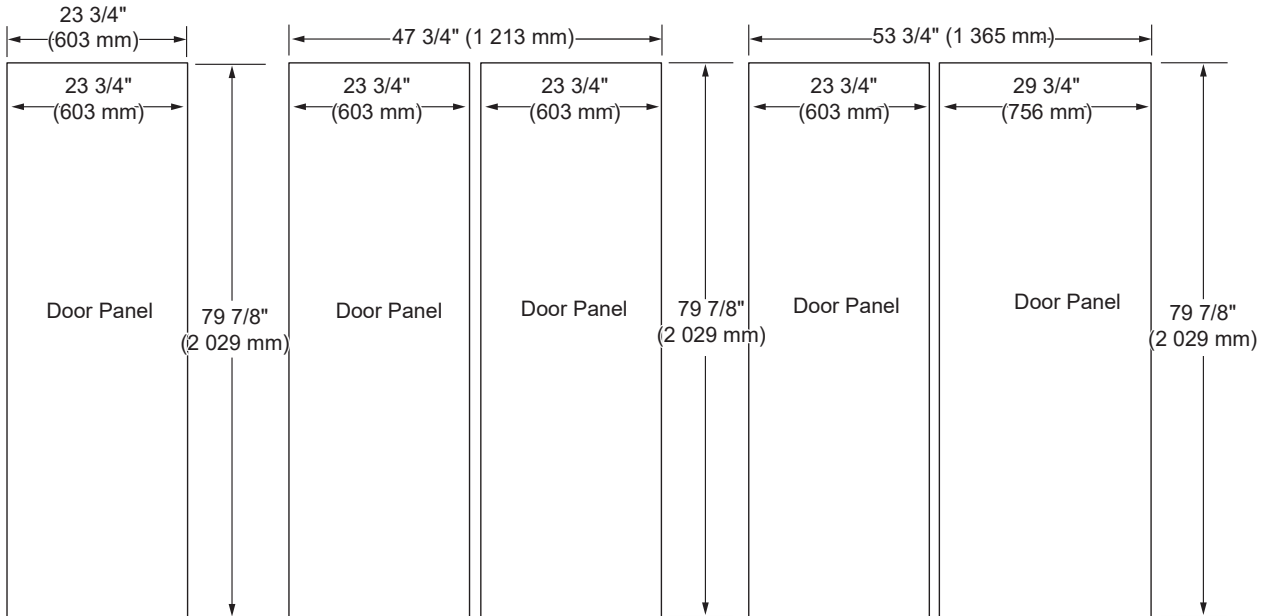
3/4" (19 MM) CUSTOM PANEL DIMENSIONS – FLUSH INSTALLATION

Freezer/Refrigerator Column

SINGLE COLUMN

DUAL 24" AND 24" COLUMN

DUAL 24" AND 30" COLUMN

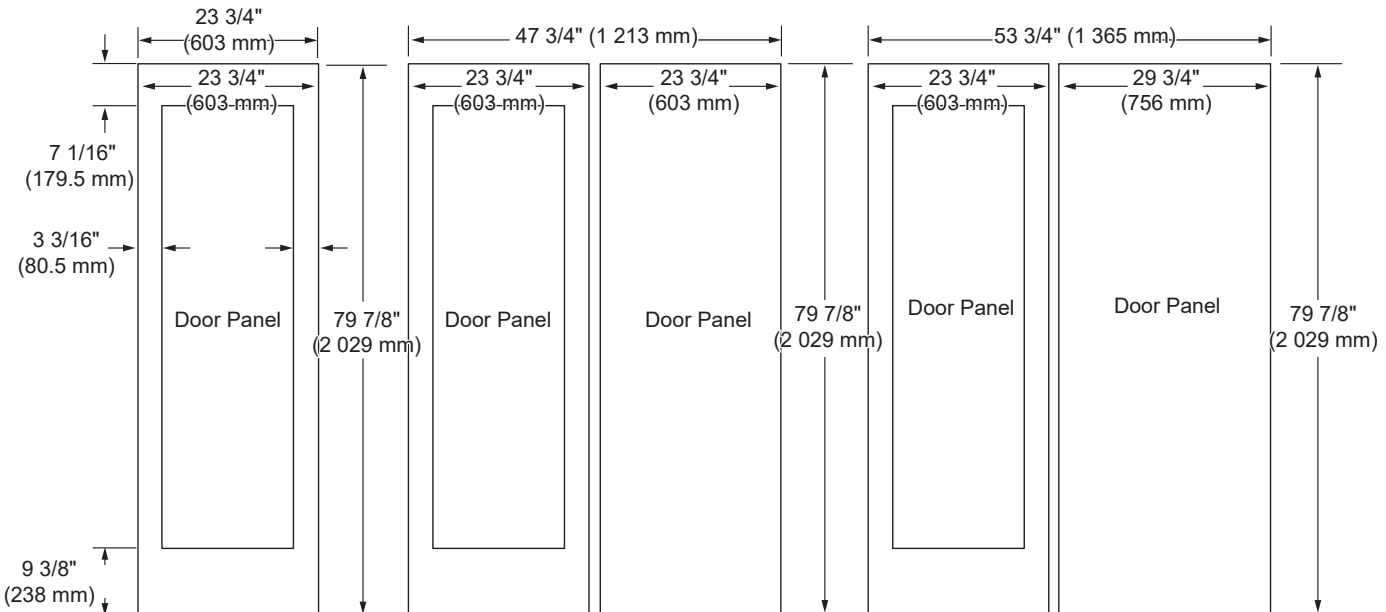


Wine Column

SINGLE COLUMN

DUAL 24" AND 24" COLUMN

DUAL 24" AND 30" COLUMN



NOTES

Trimmed units are designed to be customized with decorative panels. Field-installed 3/4" (19 mm) custom door panels are required.

For custom panels: Use templates provided with units to pre-drill holes for mounting panel brackets (provided with unit). Adjustment screws and instructions also provided with units.

Maximum total door panel weight for 30" column is 64 lb.

Maximum total door panel weight for 24" column is 53 lb.

Maximum total door panel weight for 18" column is 44 lb.

DESIGN TIPS

4" (102 mm) will be visible on the interior sides of the cutout. It is recommended that the interior of the enclosure be finished to match the exterior. For retrofit/replacement installations, the optional frame kit may be used.

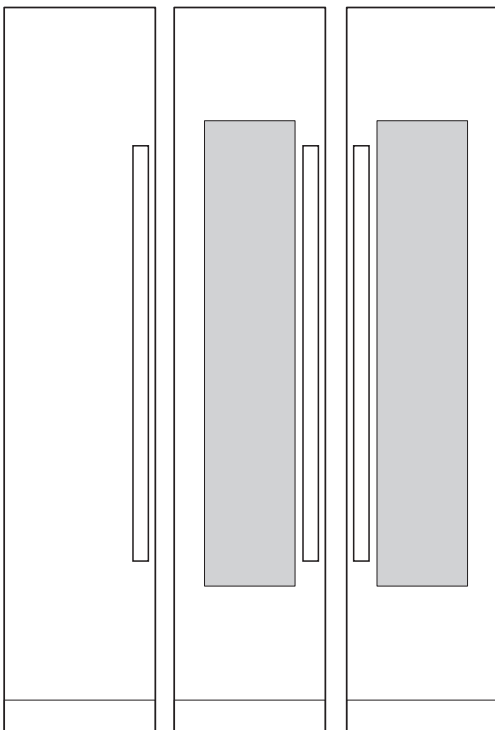
If using custom panels, a custom toe kick is required.

The bottom of the case is unfinished.

Door Handles: Handles are not included with the units.

Custom handles are required for installation. Brushed aluminum handles are available as an optional accessory.

OPTIONAL ACCESSORIES – FLUSH OR PROUD INSTALLATION



SKSPK240CS
SKSPK245CS

SKSWK245LS

SKSWK245RS

SKSPK240CS/SKSPK245CS – STAINLESS STEEL PANEL KIT FOR 24" FREEZER / REFRIGERATOR COLUMN

SKSWK245RS/SKSWK245LS – STAINLESS STEEL PANEL KIT FOR 24" WINE COLUMN

This unit can be installed with an optional stainless steel panel kit. The freezer/refrigerator column kit is reversible and can be used in both right hand and left hand door swing installations. The wine column panel kits are not reversible.

SKSFK800CS – FRAME KIT

This unit can be installed in a 24" (610 mm) deep cutout with an optional frame kit. The kit includes two 80" (2 032 mm) brushed aluminum side trim pieces. Each trim piece is 5" (127 mm) deep with a 1/8" (3 mm) front face.

HANDLES FOR USE WITH CUSTOM PANELS

SKSHK310HS – 31 11/16" (805 mm) Medium Brushed Aluminum Handle

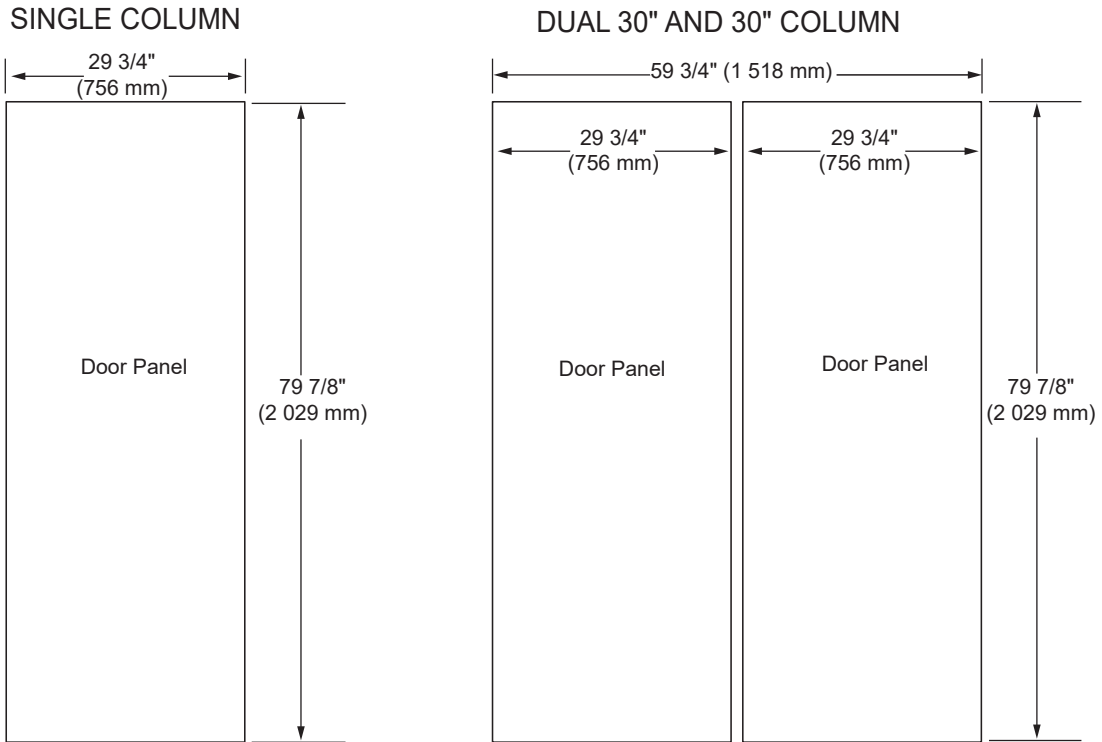
SKSHK480HS – 48" (1 219 mm) Long Brushed Aluminum Handle

DESIGN TIPS

The stainless steel panel kit may be used in a flush 25" (635 mm) cutout depth installation or in a proud 24" (610 mm) cutout depth installation.

The optional frame kit is recommended for retrofit/replacement installations where the existing cutout is 24" (610 mm) deep.

SKSCF3011P – 30" INTEGRATED FREEZER COLUMN
SKSCR3011P – 30" INTEGRATED REFRIGERATOR COLUMN
3/4" (19 MM) CUSTOM PANEL DIMENSIONS – FLUSH INSTALLATION



NOTES

Trimmed units are designed to be customized with decorative panels. Field-installed $\frac{3}{4}$ " (19 mm) custom door panels are required.

For custom panels: Use templates provided with units to pre-drill holes for mounting panel brackets (provided with unit). Adjustment screws and instructions also provided with units.

Maximum total door panel weight for 30" column is 64 lb.

Maximum total door panel weight for 24" column is 53 lb.

Maximum total door panel weight for 18" column is 44 lb.

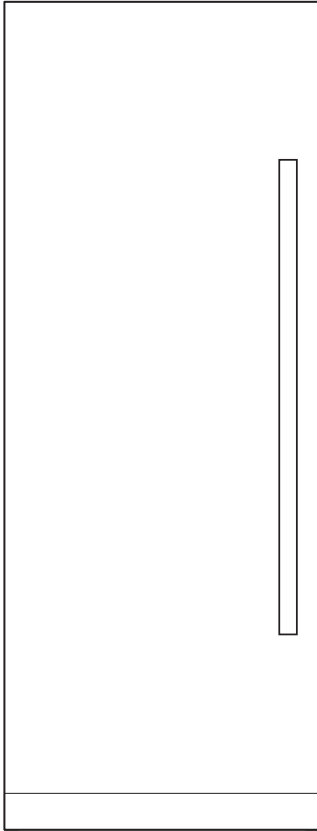
DESIGN TIPS

4" (102 mm) will be visible on the interior sides of the cutout. It is recommended that the interior of the enclosure be finished to match the exterior. For retrofit/replacement installations, the optional frame kit may be used.

If using custom panels, a custom toe kick is required. The bottom of the case is unfinished.

Door Handles: Handles are not included with the units. Custom handles are required for installation. Brushed aluminum handles are available as an optional accessory.

OPTIONAL ACCESSORIES – FLUSH OR PROUD INSTALLATION



SKSPK300CS
SKSPK305CS

SKSPK300CS/SKSPK305CS – STAINLESS STEEL PANEL KIT FOR 30" FREEZER / REFRIGERATOR COLUMN

This unit can be installed with an optional stainless steel panel kit. The kit includes one door panel, one toe kick and one handle. This kit is reversible and can be used in both right hand and left hand door swing installations.

SKSFK800CS – FRAME KIT

This unit can be installed in a 24" (610 mm) deep cutout with an optional frame kit. The kit includes two 80" (2 032 mm) brushed aluminum side trim pieces. Each trim piece is 5" (127 mm) deep with a 1/8" (3 mm) front face.

HANDLES FOR USE WITH CUSTOM PANELS

SKSHK310HS – 31 11/16" (805 mm) Medium Brushed Aluminum Handle

SKSHK480HS – 48" (1 219 mm) Long Brushed Aluminum Handle

DESIGN TIPS

The stainless steel panel kit may be used in a flush 25" (635 mm) cutout depth installation or in a proud 24" (610 mm) cutout depth installation.

The optional frame kit is recommended for retrofit/replacement installations where the existing cutout is 24" (610 mm) deep.

Required Accessories and Tools

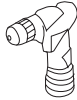
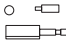


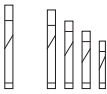



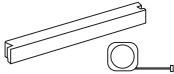
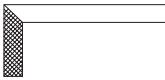
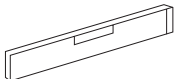
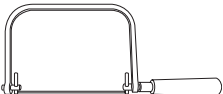
Supplied Accessories

- Installation instructions
- Operating instructions
- Installation kit
- Water filter (included with refrigerator)

Other

- Stepladder
- Dolly, hand truck
- Hammer drill for drilling holes in wall or floor.
- Drill bits in various sizes and suitable for materials
- Wood screws in different sizes
- Thin plywood sheet, particle board or cardboard to protect the floor from damage
- Suitable material for covering and protecting furniture (e.g. protective sheets)
- Adhesive tape
- An additional unification kit is available as an accessory (part number SKSFJ800P) from Signature Kitchen Suite.

Tools

	Cordless screwdriver
	Torx bit T20, T30 and magnetic holder
	Torx screwdriver T20, T30
	6/16" (10 mm) hex nut driver
	Various drill bits
	Multigrip pliers
	Adjustable wrench
	Cutter with adjustable blade
	Metal tape measure, folding rule
	Square
	Level, length 2" (60 cm) and 4' (1.2 m)
	saw to cut top trim pieces (for retrofit installation only)

Installation

The following installation instructions describe the installation steps for various appliance types:

- Refrigerator units with water dispenser
- Freezer units with ice maker

The diagrams may be a general representation of your appliance.

Particular reference is made to special installation steps for individual appliance types.

Unpacking

WARNING

To avoid serious injury or product damage:

- DO NOT open appliance door unless the product is secured against tipping.
- The appliance is very heavy and is prone to tipping if not secured.
- To avoid injury, use 2 or more people and proper lifting techniques when lifting or moving the appliance.

Check appliance for damage in transit.

Do not install the appliance if it is visibly damaged.

If in doubt, contact your dealer.

1. Remove the packaging carton, being careful not to damage the surface of the appliance.
2. To avoid floor damage, place packaging cardboard or plywood under the appliance.
3. Remove accessories on the sides and underneath the appliance.

NOTE:

To avoid damaging parts, do not remove the protective shipping materials inside the appliance until the installation is complete.

4. Installation Preparation

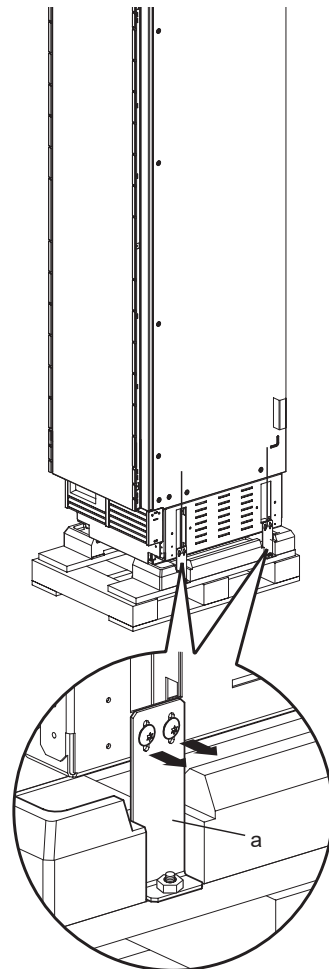
Unpack installation materials and accessories.

To simplify installation, the packages are identified with labels A, B and C corresponding to the manual sections.

CAUTION:

Appliance is very heavy. Use two or more people when lifting or moving the appliance.

5. Remove shipping brackets (a) and lift the appliance off the pallet.



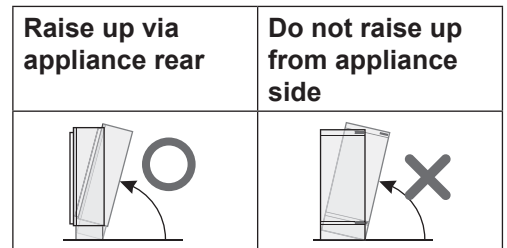
Moving the Appliance

WARNING

- To avoid injury, use 2 or more people and observe proper lifting techniques when lifting or moving the appliance.
- If the appliance cannot be transported in an upright position, transport it horizontally.

To avoid product damage:

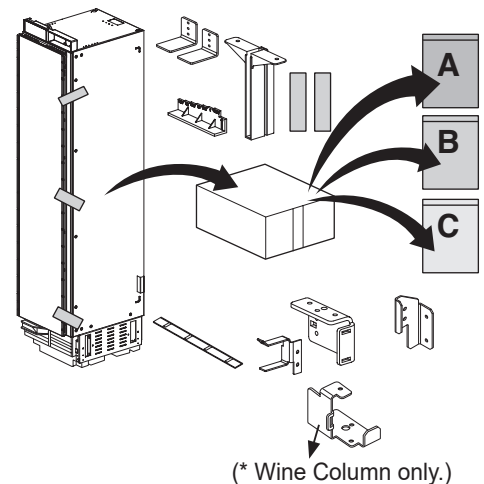
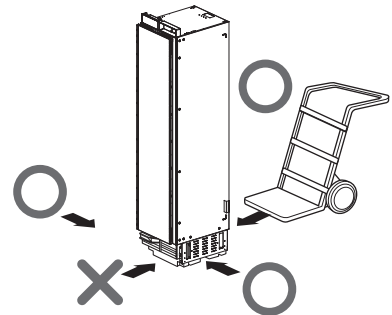
- Do not tilt the appliance toward the sides or lay it on its sides.
- Make sure there is sufficient room to stand the appliance upright before doing so.
- Use a dolly, lift truck or hand cart to transport the appliance.
- Transport from the rear side of the appliance ONLY.
- Secure the appliance during transport to prevent it from tipping.



Special Circumstances

Before proceeding with your installation, check if any of the following special circumstances apply to your installation. If so, follow the relevant instructions in the Special Installations section before continuing the installation.

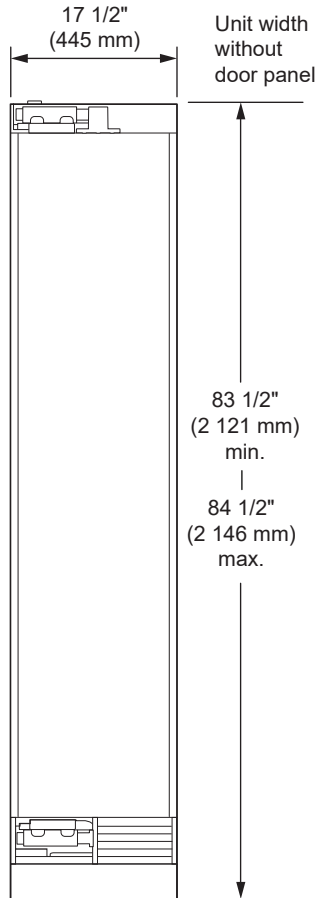
- Retrofit installation in existing enclosure: see Optional Frame Kit Accessory section.
- Reversing door swing: see Door Reversal section.
- Side-by-Side installation of 2 appliances: see Side-by-Side Installation section.



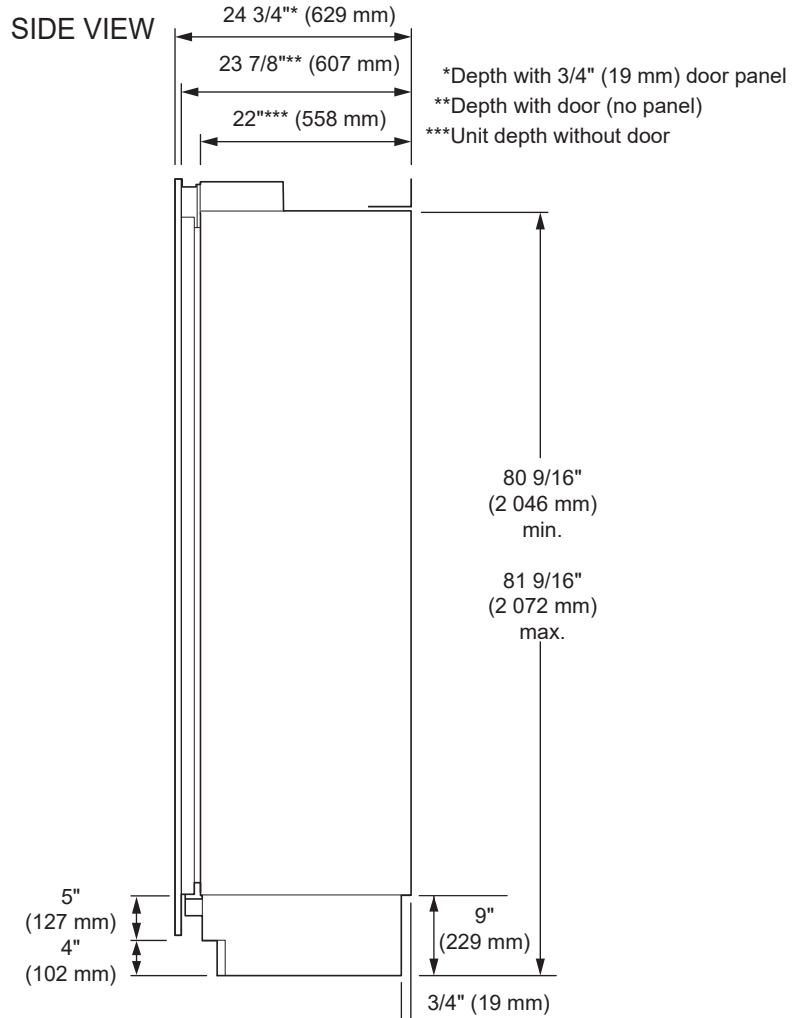
Product Dimensions

18" Freezer / Wine Column

FRONT VIEW

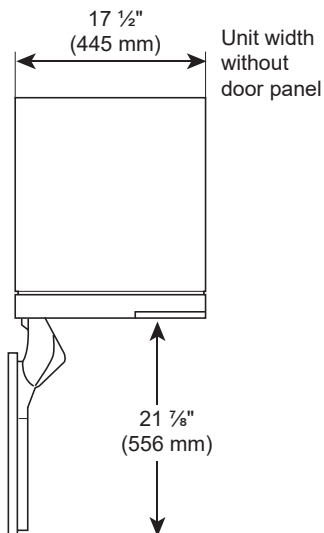


SIDE VIEW



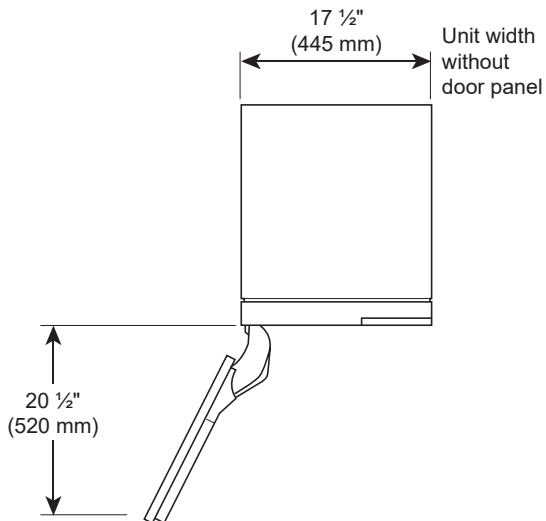
TOP VIEW

DOOR OPEN 90°



TOP VIEW

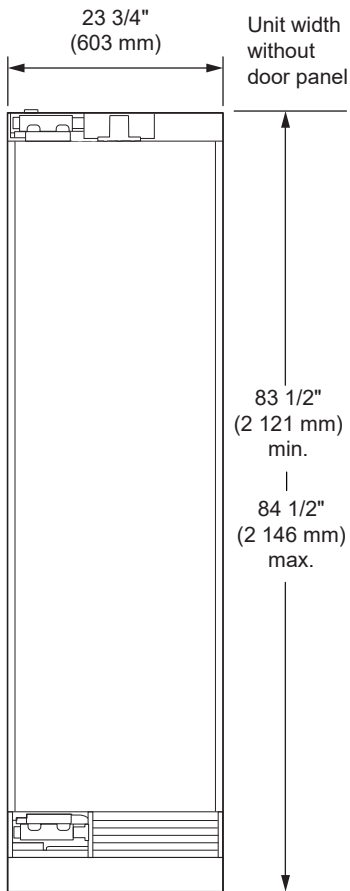
DOOR OPEN 115°



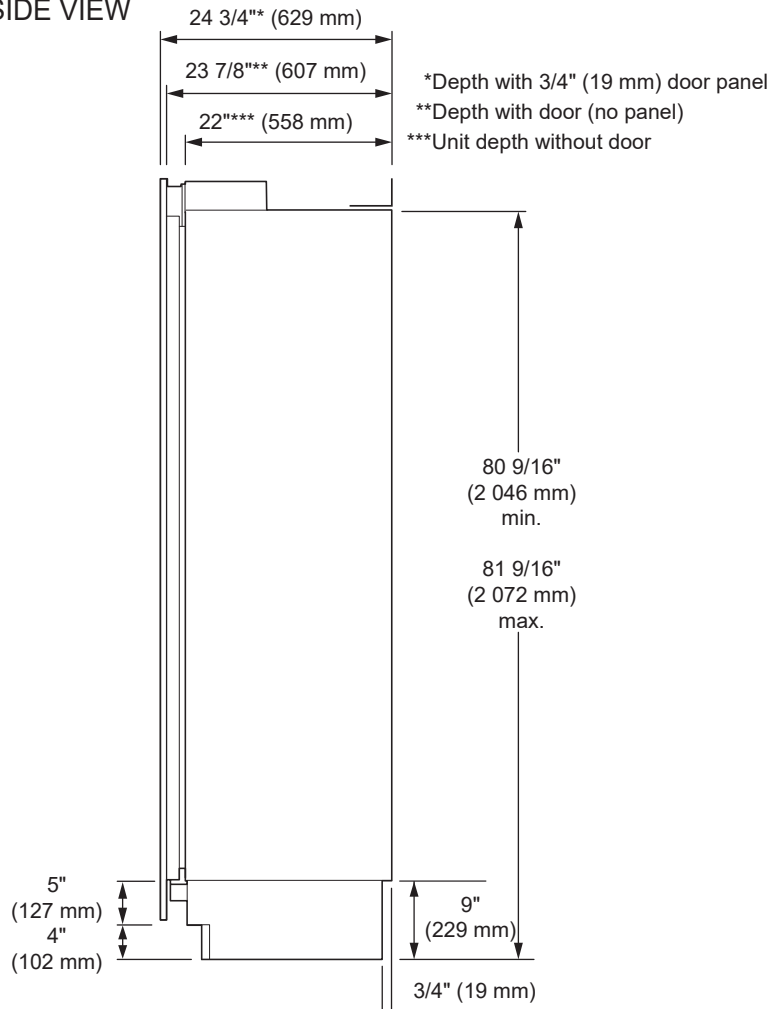
24" Freezer / Refrigerator / Wine Column

ENGLISH

FRONT VIEW

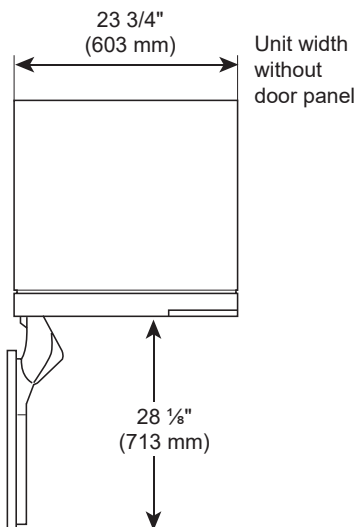


SIDE VIEW



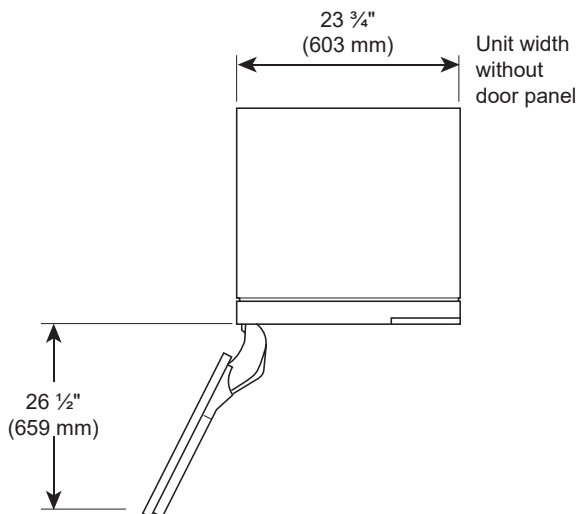
TOP VIEW

DOOR OPEN 90°



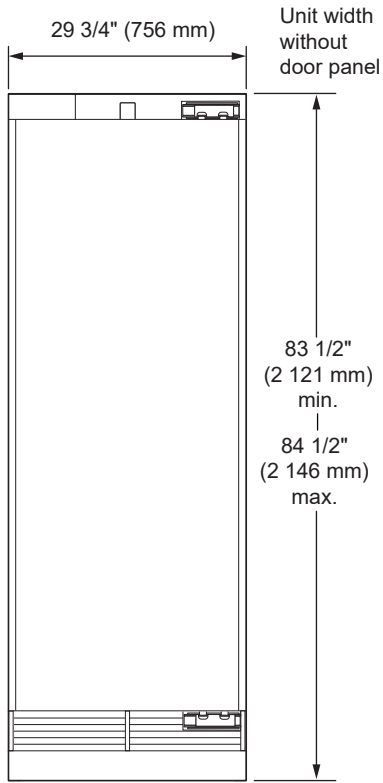
TOP VIEW

DOOR OPEN 115°

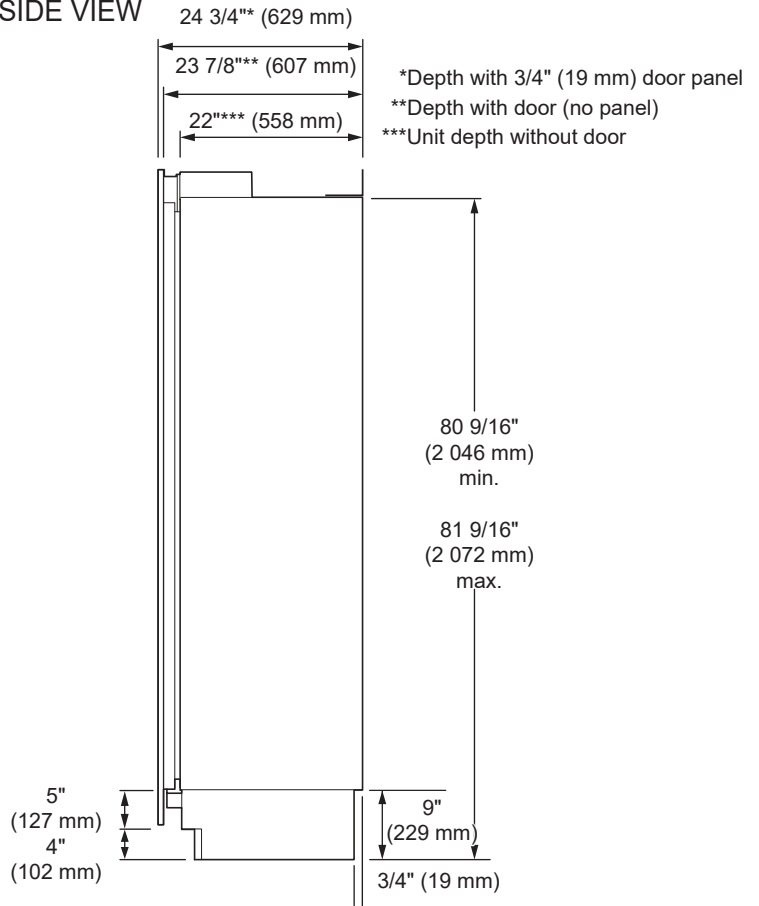


30" Freezer / Refrigerator Column

FRONT VIEW

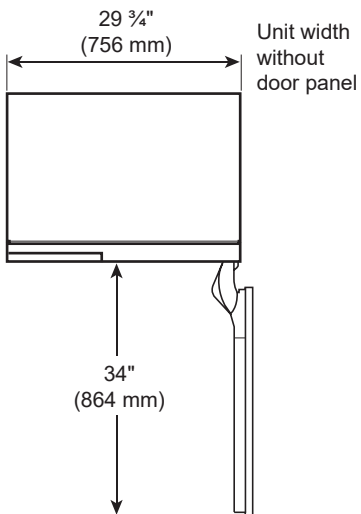


SIDE VIEW



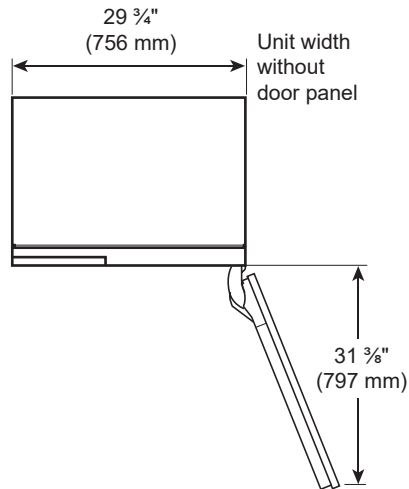
TOP VIEW

DOOR OPEN 90°



TOP VIEW

DOOR OPEN 115°



A

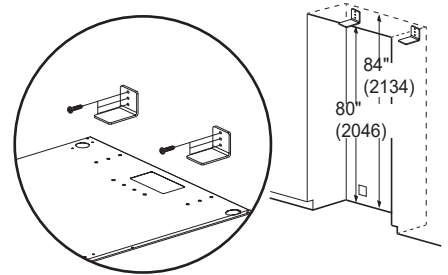
Installing the Anti-tip Brackets

! WARNING

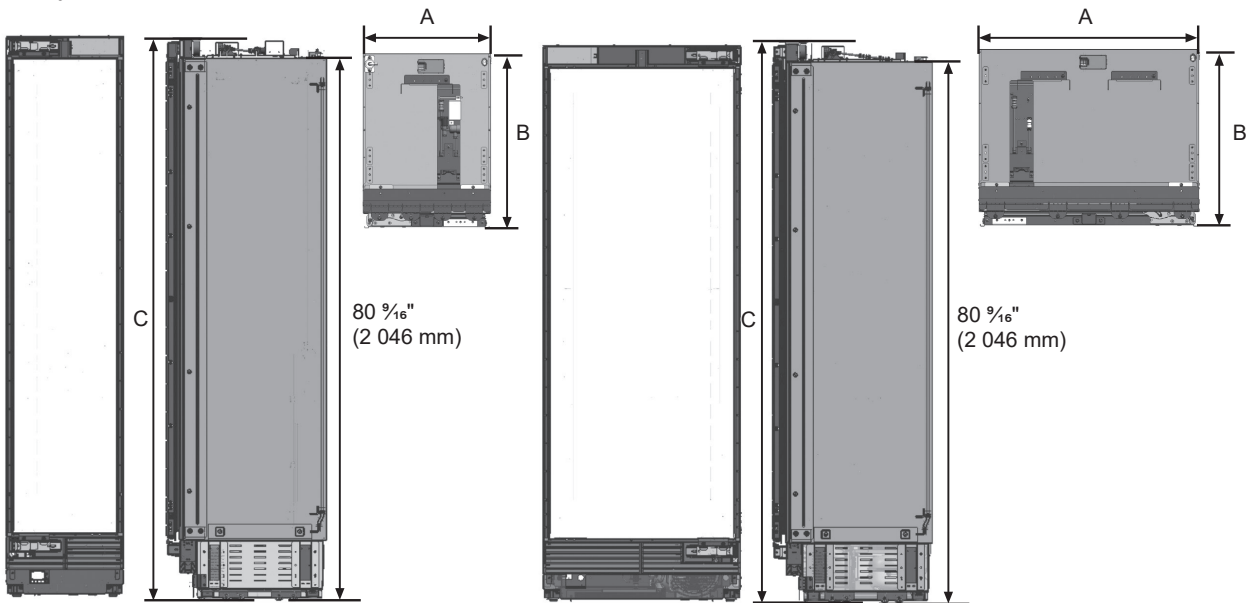
To avoid injury or damage, check for electrical wires or plumbing in walls before drilling or installing screws.

! CAUTION

To avoid injury, observe all safety practices during installation, including wearing safety glasses and other safety apparel.



ENGLISH



	18" Unit	24" Unit	30" Unit
A (Width)	17 1/2" (445 mm)	23 3/4" (603 mm)	29 3/4" (756 mm)
B (Depth)	23 7/8" (607 mm)		
C (Height)	83 1/2" (2 121 mm)		
D (Back height)	80 9/16" (2 046 mm)		

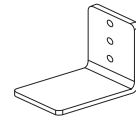
NOTE:

2 anti-tip-brackets are required for each appliance.

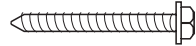
The anti-tip-brackets must overlap a minimum of 2 1/8" (54 mm) over the appliance to secure the appliance.

1. Install the anti-tip brackets at the rear of the enclosure, locating the brackets based on stud locations and product and enclosure dimensions.
2. Make sure the anti-tip brackets are securely attached to a stud or other weight-bearing structure. Do not attach brackets to drywall, cinder block, or uncured concrete.

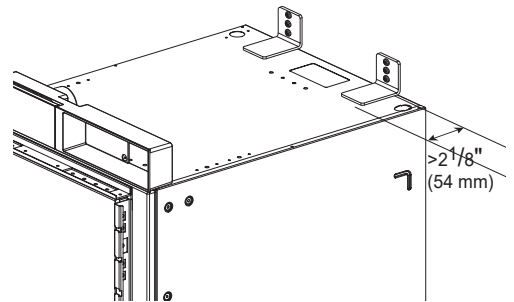
To ensure safety, at least one bracket must be attached to a stud. Attach brackets to studs wherever possible within the enclosure. Use a minimum of 3 screws or bolts to attach each bracket.



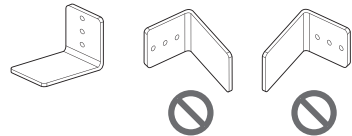
Anti-tip brackets (2)



Concrete / Wood wall
5X45 6X (Hex)

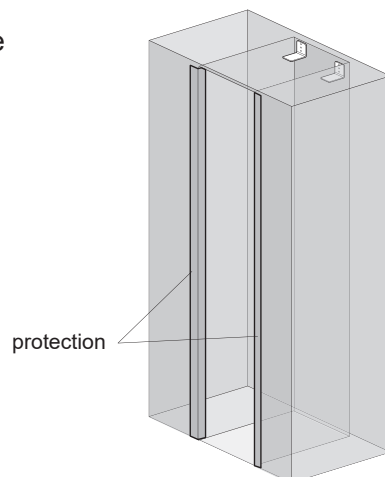


Brackets must be attached as shown at right. The brackets could fail to prevent tipover of the unit if installed in an alternate orientation.



Protecting Edges of Enclosure

To protect the front edges of the enclosure, tape thin cardboard or some other protective material around the edges.



Installing Appliance in Enclosure

! WARNING

Use 2 or more people when installing the appliance. Take care when moving the appliance. It is very heavy and prone to tipping when not secured.

! CAUTION

Take care to avoid damaging the water line or power cord when moving the appliance into the enclosure.

Before moving the unit into position, secure the door/ drawers closed and protect any finished flooring.

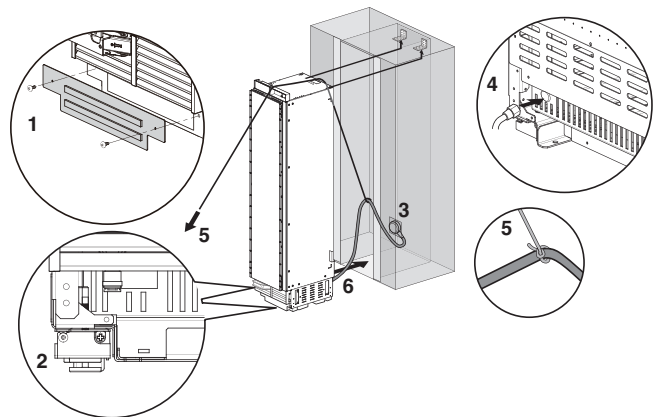
Use an appliance dolly to move the unit near the opening.

The front leveling legs are extended below the front rollers to improve stability during placement. Once the unit is placed in front of the opening, completely retract the front leveling legs to allow the unit to be rolled into position. Front and rear leveling legs can be adjusted from the front once the unit is positioned.

If the unit has been on its back or side, it must stand upright for a minimum of 24 hours before turning on the power.

After the appliance is rolled into position, verify that the anti-tip brackets are properly engaged.

1. Remove the base panel.
2. Retract the leveling legs so the appliance can be wheeled forward.
3. Plug the power cord into the outlet.
4. Push the water line through the hole at the rear of the appliance until it emerges from the hole at the front of the appliance.
5. Tie a long string around the middle of the power cord. Feed the string over the top of the appliance, pull it until the power cord is held high off the ground, then tape the string to the front of the appliance to hold the power cord off the ground. Do not pinch or strain the power cord. Make sure it is still plugged in.
6. Carefully move the appliance into the enclosure, making sure not to pinch the power cord or water line under or behind the appliance.
7. Remove the edge protection on the enclosure.



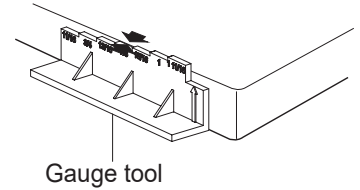
Aligning and Leveling the Appliance

DEPTH ADJUSTMENT

Adjust the depth of the unit in the enclosure so the door panels will fit flush with the surrounding cabinetry. Use the gauge tool provided for a precise fit.

1. Measure the thickness of your decorative door panels using the gauge tool.

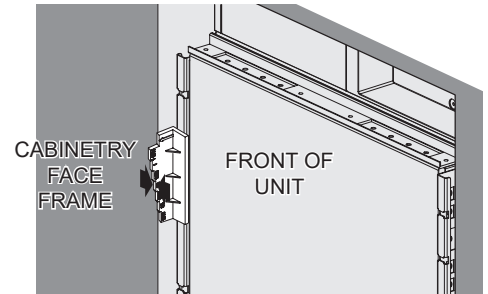
Set the door panel on a flat, protected surface and place the gauge tool next to the panel. Mark the notch on the gauge tool that matches the thickness of the door panel.



Measure panel thickness

2. Use the mark on the gauge tool to adjust the depth of the appliance in the enclosure.

Place the gauge tool against the closed door of the appliance at the side of the enclosure. The marked notch on the gauge tool should align with the front edge of the enclosure.



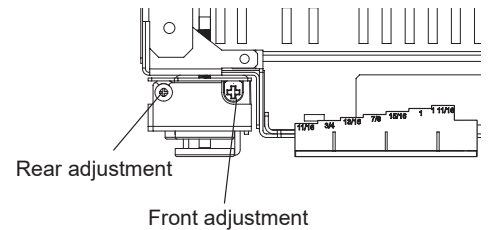
Align depth of unit

HEIGHT ADJUSTMENT

The front and rear leveling legs can both be adjusted from the front.

Front: Use 5/16" (8 mm) Phillips driver with flexible shaft.

Rear: Use 5/16" (8 mm) Phillips driver with flexible shaft.



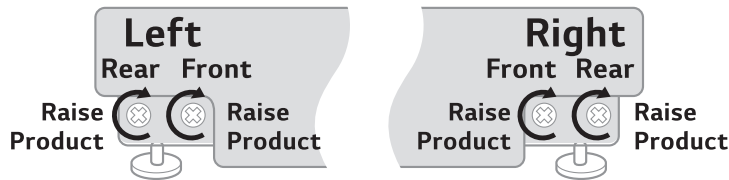
WARNING

To reduce the possibility of the unit tipping forward, the front leveling legs must be in contact with the floor.

LEVELING

Once the appliance is aligned properly in the enclosure, level it using the front and rear leveling legs.

1. Use a Phillips screwdriver to extend the front and rear leveling legs until they are in firm contact with the floor.



Leveling

2. Turn the screws as shown above to raise the appliance. Turn the screws in the opposite direction to lower the appliance.
3. Make sure the weight of the refrigerator is carried on the legs, not the wheels.
4. Use a smartphone leveling app or place a carpenter's level on the top and sides of the appliance to check that it is level and plumb. Or use the provided gauge tool to measure the distance of the bottom edge of the appliance from the floor at the front corners.

CAUTION

- If using a power drill, use the lowest torque setting.
- Leave at least 3/8 inch (10 mm) between the top front of the appliance and the top of the enclosure to fit the top filler strip.
- Do not exceed 20 inch-pounds (2.25Nm) of torque.
- 20 revolutions equal 1/16" (2mm) of height adjustment.

Attaching Appliance to Enclosure

! WARNING

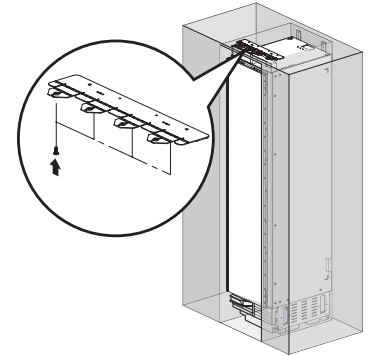
- To avoid tipovers, the appliance must be attached to the top of the enclosure.
- The top of the enclosure must be made of a solid material (not MDF) that is at least 5/8" (16 mm) thick.

1. Screw the lugs on the safety bracket at the top of the appliance to the top of the enclosure.
2. If there is a large gap between the top of the appliance and the top of the enclosure, insert a piece of wood between the lugs and the top of the enclosure to fill the gap.
3. Screw the side safety brackets to the sides of the enclosure.

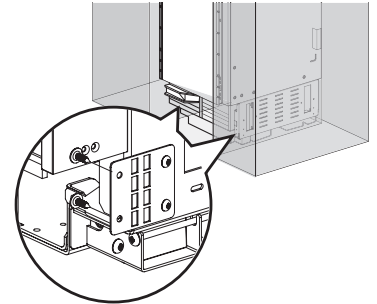
NOTE: If installing two appliances side-by-side, attach the appliances to each other using the unification kit. Attach them to the sides of the enclosure as if they were one unit.

4. Slide the top piece from the front filler assembly (a) in at the top of the appliance until it engages with the top safety bracket.
5. Once the top piece of the filler assembly is in place, slide the base of the filler assembly in under it and snap the top into the base (b).

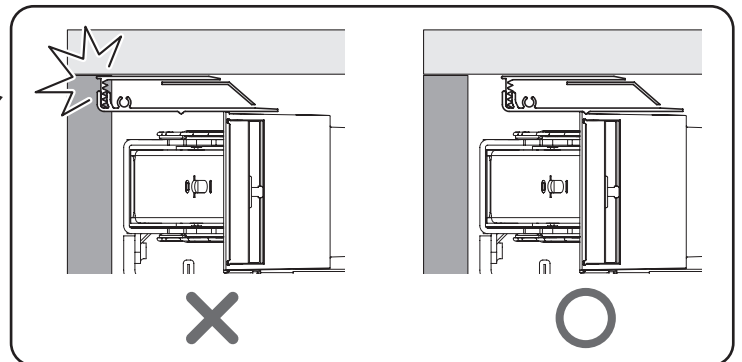
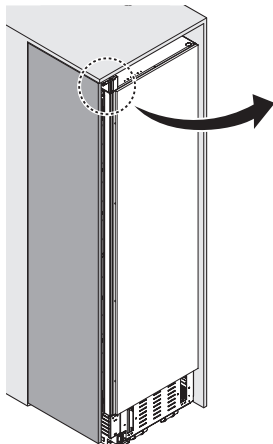
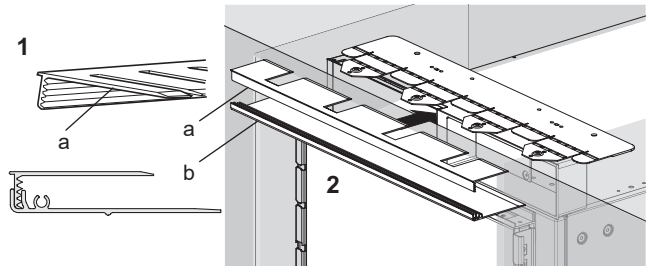
NOTE: If installing two appliances side-by-side, attach both top covers using the bolt found in the accessories package.



 4X15 4X



 4X15 4X



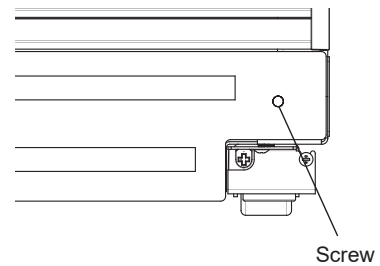
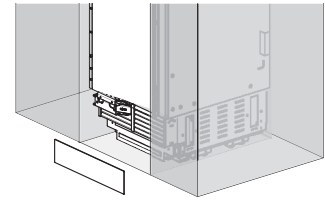
Attaching the Toe Kick Panel

CAUTION

To avoid damage to the appliance, do not block the ventilation slots in the base panel.

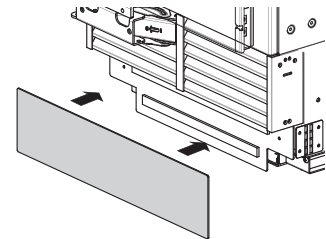
Stainless Toe Kick Panel (Optional Accessory)

1. Screw the base panel to the appliance.
2. Remove the protective film from the adhesive on the provided magnetic strips.
3. Stick the magnetic strips to the back of the stainless toe kick panel.
4. Attach the stainless toe kick panel to the base panel using the magnetic strips.



Wood Toe Kick Panel

1. If necessary, trim wood panel to fit width of enclosure.
2. Screw the base panel to the appliance.
3. Remove the protective film from the adhesive on the provided magnetic strips.
4. Stick the magnetic strips to the back of the wood toe kick panel.
5. Attach the wood toe kick panel to the base panel using the magnetic strips.

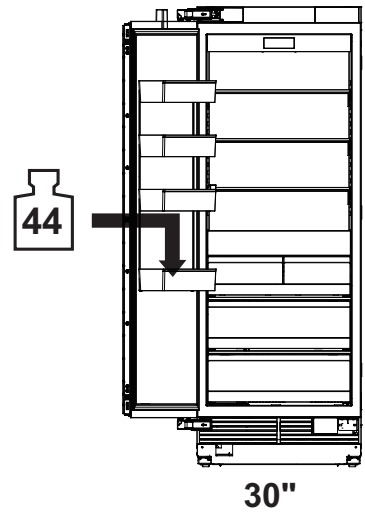
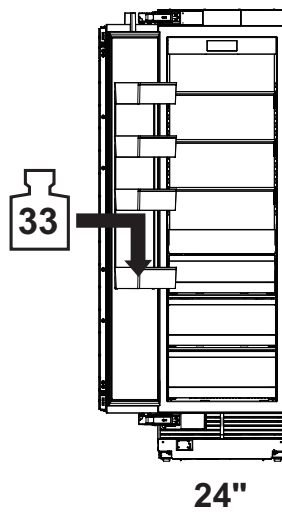
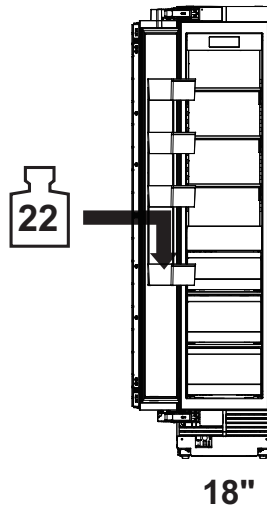


Loading the Appliance Door

For precise results, before attaching the door panels, load the door bins with weights to ensure the gap width remains correct after food is stored in the door.

Recommendations:

- 18" Appliance: 22 lbs/10 kg
- 24" Appliance: 33 lbs/15 kg
- 30" Appliance: 44 lbs/20 kg



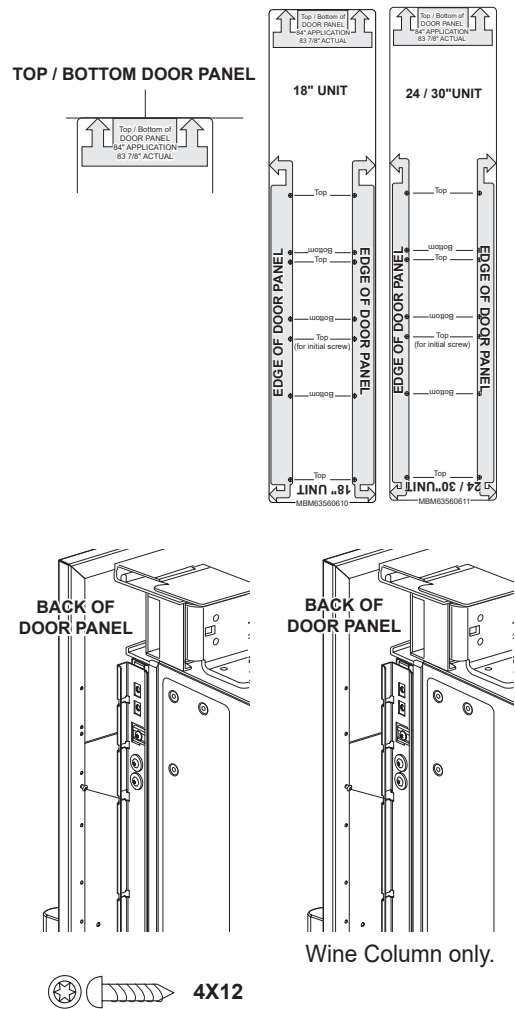
C

Installing Door Panels

Typical panel dimensions are based on an 84" (213.4 cm) finished height with 1/8" (3.2 mm) reveals. Template placement must be adjusted for panels exceeding typical dimensions.

The door panel should be installed first, followed by the upper then lower drawer panel, if needed.

1. Place the door panel face down on a protected surface.
2. Locate the correct side of the door panel template for your product and position the template flush with the top and left sides of the panel.
3. Use the template to mark the correct screw locations on the back of the panel.
4. Slide the template to the right so it is flush with the top and right sides of the panel.
5. Use the template to mark the correct screw locations on the back of the panel.
6. On refrigerator/freezer columns, begin inserting a #8 x 1/2" screw into the fifth hole from the top on each side. On wine columns, use the third hole from the top. Stop when the screws are 3/16" (4 mm) proud of the panel. These will be the support screws during the panel installation.
7. Insert the support screws in the slotted holes on the appliance door mounting brackets so that the panel is hanging on the door.



! CAUTION

Beware of pinch points when installing door panels or opening and closing doors.

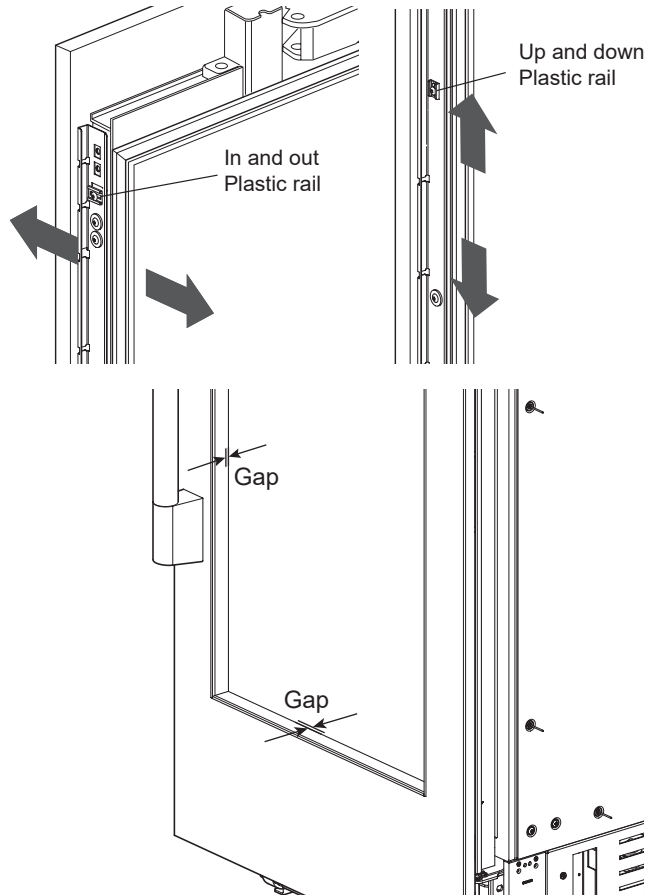
Adjusting Door Panels

Fine adjustments can now be made to align the door panels.

1. To adjust the door panel horizontally, slide the panel support screws left or right in the slotted holes as desired. Have an assistant hold the panel in place while you tighten the support screws and insert and tighten all remaining mounting screws.
2. To adjust the door panel vertically or back and forward, loosen the screws in the appliance door bracket. Move the plastic rails to make adjustments as desired. Have an assistant hold the bracket in place while you tighten all the bracket screws.

NOTES

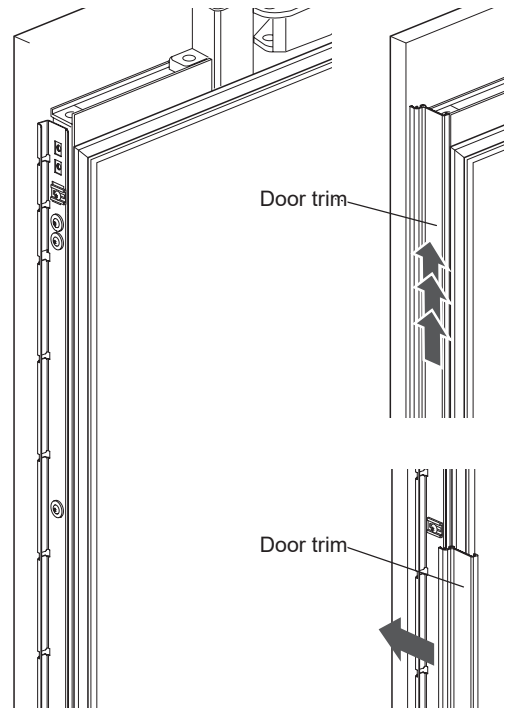
When adjusting the wine door panel, there will be a small gap between the surface of the glass door and the plastic panel flange. This is normal.



Installing Door Trim

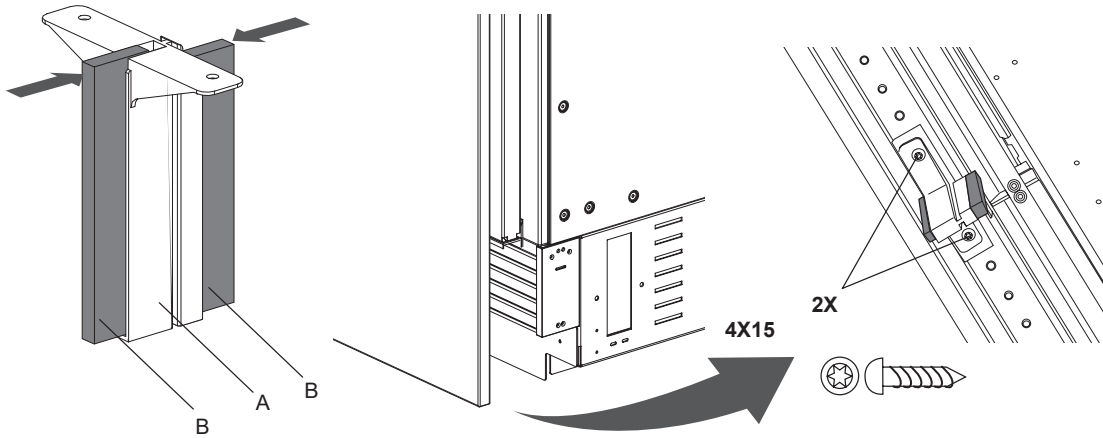
After panels have been adjusted, install the decorative side trim on the doors.

To install, start at the middle and align the trim with the front and rear flanges on the bracket, then snap into place by pushing the trim toward the back of the panel. Once the middle is secure, continue the installation upward until the remaining trim is completely secure.



Attaching Air Separator

Assemble A with B and attach on bottom front center of door.

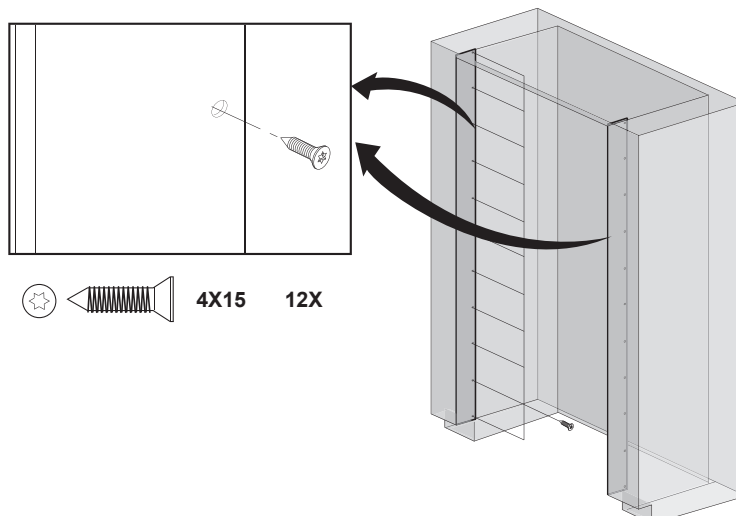


Special Installations

Optional Frame Kit Accessory

Purchase and install the optional frame kit for retrofit side-by-side installations. The kit includes stainless trim pieces to cover the front edges inside the enclosure. See detailed installation instructions with the kit.

Attaching side trim for retro fit



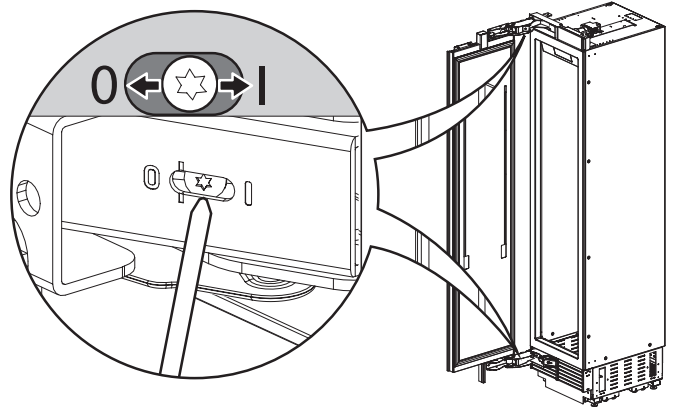
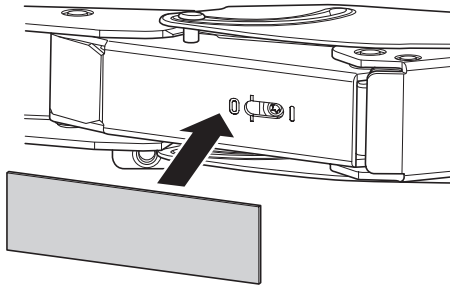
Adjusting the Door Spring

Rotate the adjusting screw with the T20 bit provided.

I = maximum spring tension

0 = no spring tension

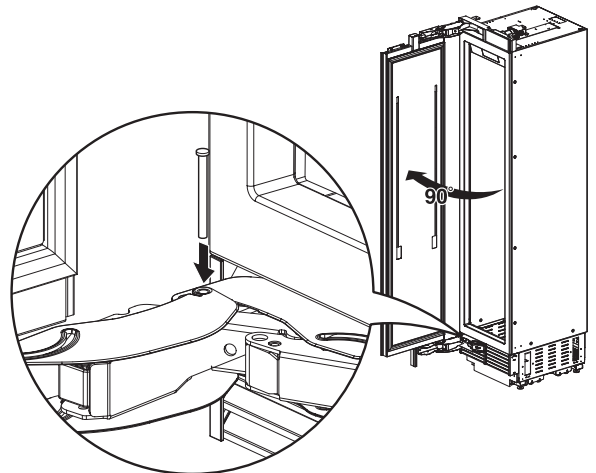
(Optional) After adjusting the door spring, attach the gray plastic sheets to hide the adjusting screws.



Adjusting the Door Stop

The default door stop position is 115°. Follow these instructions to change the door stop position to 90°.

1. Open the door to 90°.
2. Insert the door stop pin in the holes which are now aligned at the back of the hinge. Use a rubber mallet to fully insert the pin.

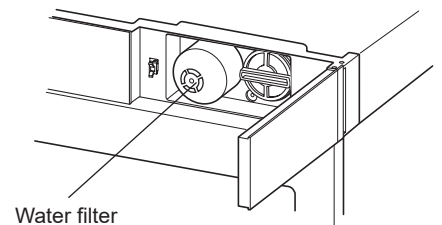


Water Filter Bypass

Removing the water filter automatically puts the appliance in the filter bypass mode. This allows the appliance to be run without a water filter.

Removing the Water Filter

1. Push in slightly on the water filter access door to open it.
2. Use the cap to rotate the water filter counterclockwise and pull out the water filter. See the owner's manual for detailed instructions.



Reversing the Door

WARNING

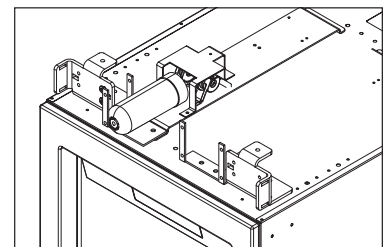
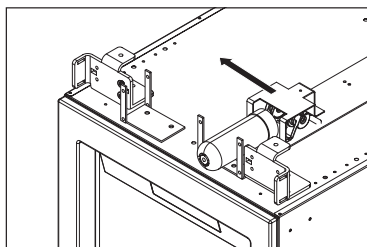
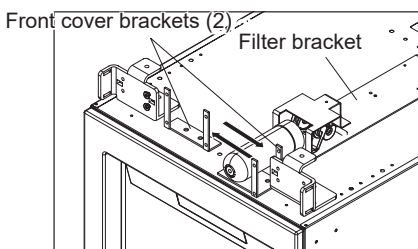
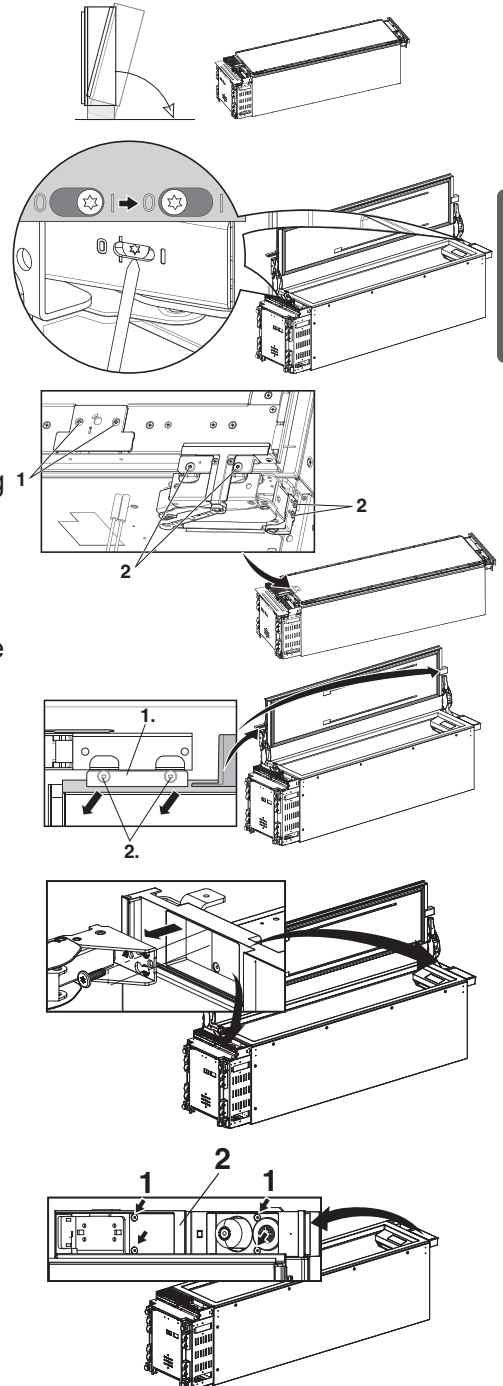
Risk of Injury

Before working on the hinge, release the tension on the hinge spring.

NOTE:

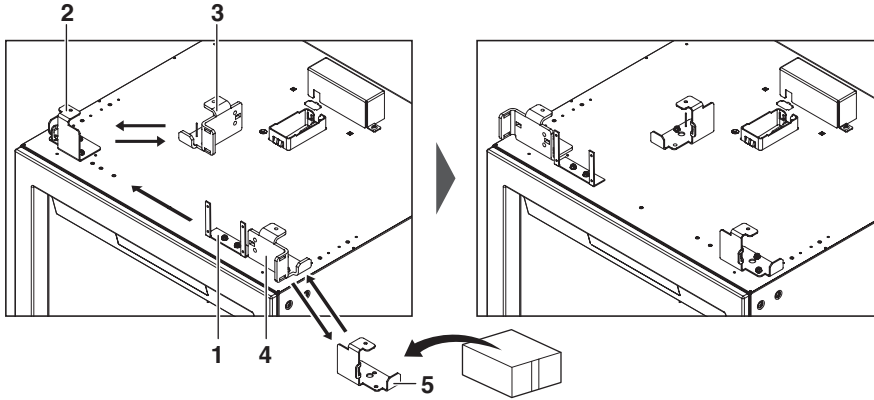
- To make door reversal easier, place the refrigerator on its back on a flat, protected surface before beginning.
- If reversing the door with the product standing upright, the door **MUST** be supported while removing or installing mounting bolts.

1. Open the door and release the tension on the hinge spring 1 by using the T20 bit provided to turn the screw from | to O.
- 2a. (For wine columns only)
Remove the 2 screws from the PCB cover (1) at the bottom of the appliance and pull off the cover. Remove the vent cover assembly as shown in step 6. Remove the 4 mounting screws from the link (2). Move the link to allow the door to be removed.
- 2b. If an air separator is attached, remove it. Remove the 2 mounting bolts at the top and bottom of the door (1). Remove the door (2) and lay it aside on a protected surface.
3. On the cabinet, remove 2 screws from the top and bottom hinges, remove the hinges, and lay the parts aside.
4. Open the water filter access door. Unscrew the 4 screws (1) and remove the front cover assembly (2).
- 5a. (For refrigerator/freezer columns only)
Remove the bolts in the 2 front cover brackets on the top of the appliance. Swap the positions of the 2 brackets, rotating one 180 degrees, and reinstall the bolts. Remove the bolts in the filter bracket and reinstall the bracket assembly on the opposite side.

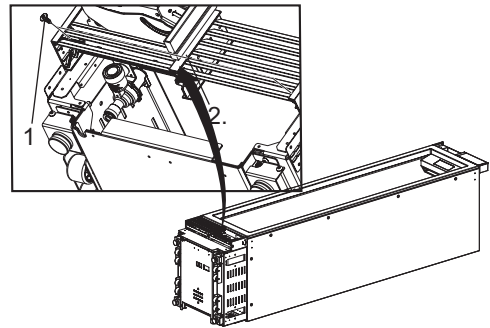


5b. (For wine columns only)

Remove the mounting bolts in the center front cover bracket (1) on the top of the appliance. Reinstall the bracket on the opposite side. Remove the mounting bolts in the left front cover bracket (2) and the upper hinge socket (3), swap their positions, and reinstall the bolts. Remove the mounting bolts in the upper right hinge socket (4) and replace it with the front cover bracket (5) provided in the installation accessories.

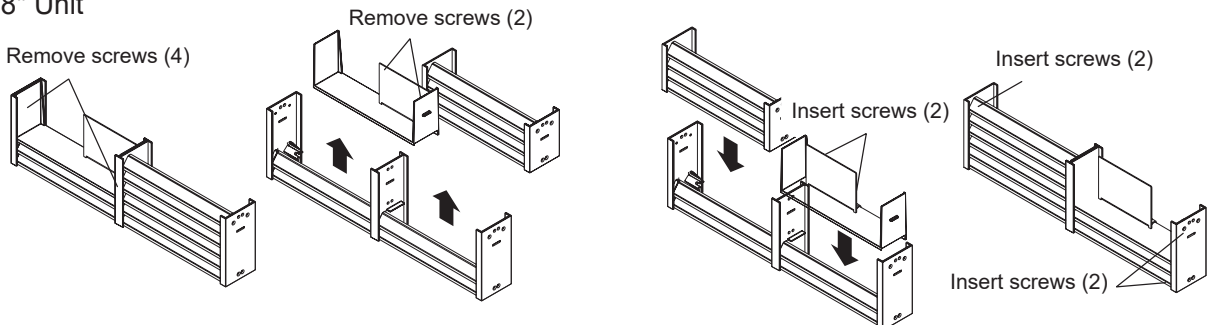


6. Unscrew and remove the vent cover assembly at the bottom of the appliance.
(For wine columns, the vent cover assembly was removed in step 2.)

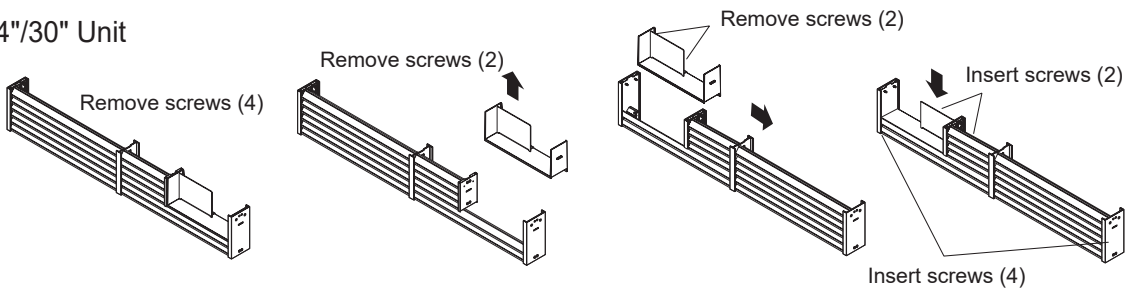


7. Follow the diagrams below to disassemble and reassemble the vent grille. On refrigerator/freezer columns, screw the vent cover assembly back onto the appliance. (On wine columns, the vent cover assembly is reinstalled in step 13.)

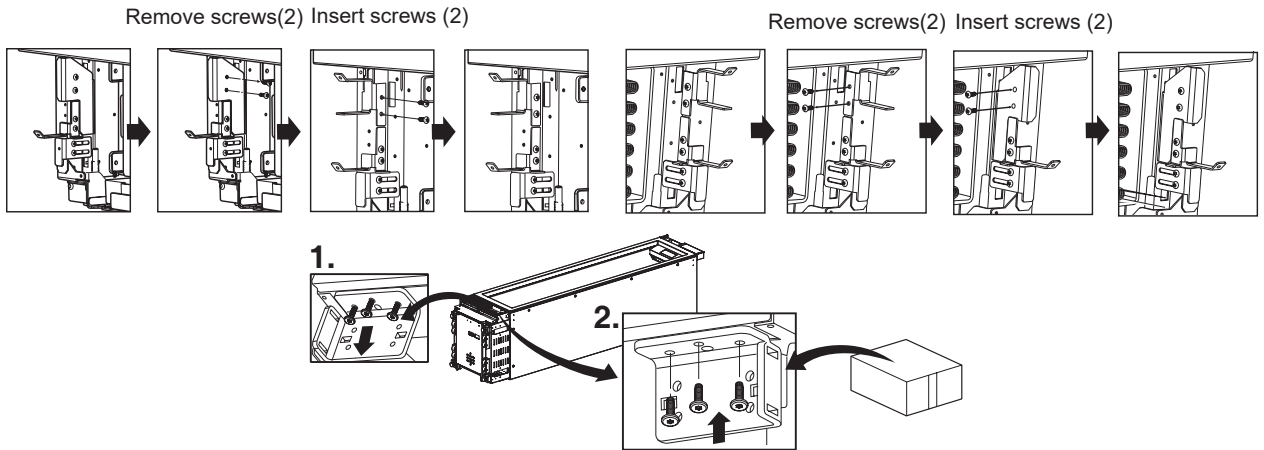
18" Unit



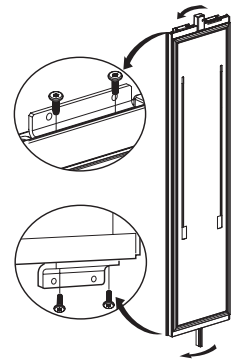
24"/30" Unit



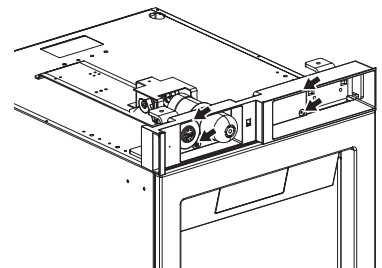
8. Remove the lower hinge socket. Install the hinge socket provided in the installation accessories on the opposite side. Keep all parts in case door is reversed in future.



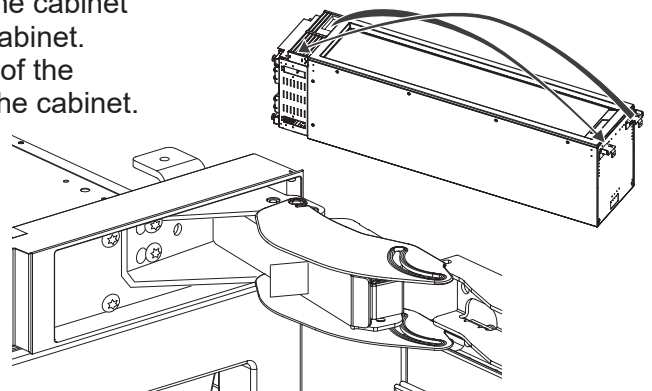
9. On the door, remove 2 bolts from the top hinge bracket and install the bracket on the opposite side of the door. Repeat with the bottom hinge bracket.



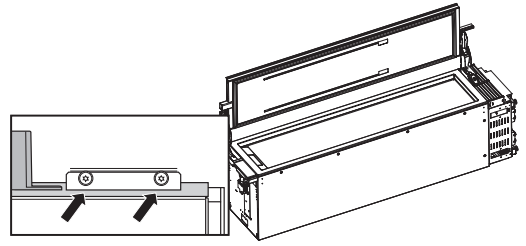
10. Rotate the front cover 180 degrees and reinstall it at the top of the cabinet.



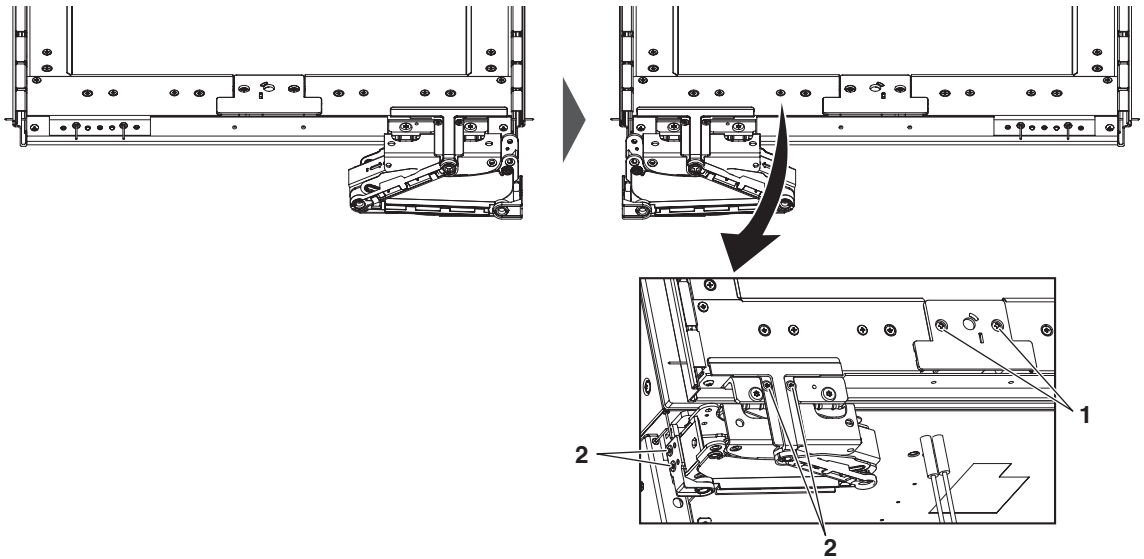
11. Install the hinge removed from the top of the cabinet on the opposite side at the bottom of the cabinet. Install the hinge removed from the bottom of the cabinet on the opposite side at the top of the cabinet.



12. Insert 2 bolts at the top and bottom of the door to reattach the door.

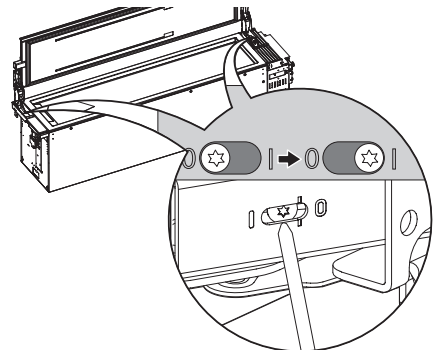


13. (For wine columns only)
Reattach the PCB cover (1) with 2 screws. Use 4 screws to install the link on the hinge (2) at the opposite side from which it was removed. Reinstall the vent cover assembly reassembled in step 7.



14. Reset the tension on the hinge spring by using the T20 bit provided to turn the tension screw from O to |.

15. Stand the product upright. The power cord can be connected, but wait 24 hours before turning on the power.

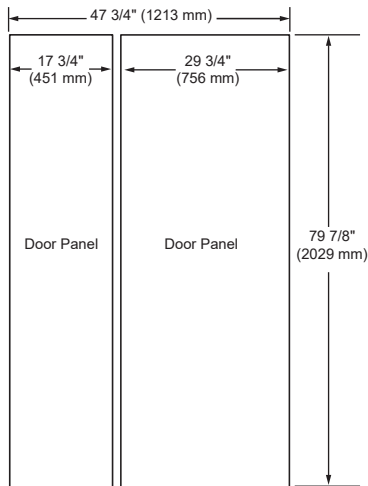


Side-by-Side Flush Installation

FLUSH INSTALLATION CLEARANCES

NOTE: When installing products with a partition between them, follow the standard installation. The minimum size of the partition is 6" (15.2 cm) to avoid interference between the doors.

DUAL 18" AND 30" COLUMN
(See custom panel pages for more configurations.)



NOTE:

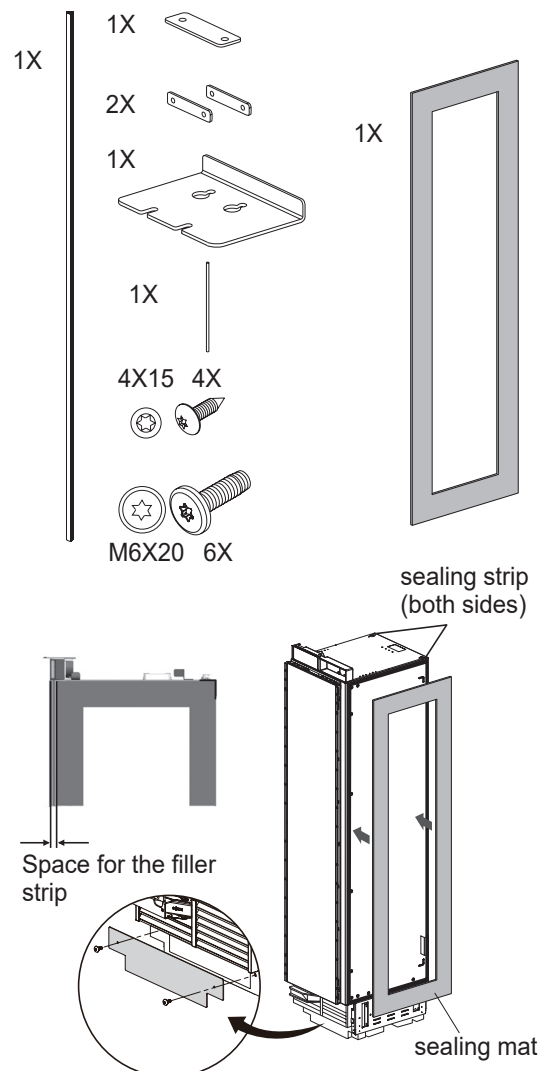
When installing 2 side-by-side products with one left and one right door swing, 1/16" (2 mm) clearance is required between the products. This applies to both new installations and retrofit installations.

In a side-by-side flush installation, a unification kit must be used to seal the appliances together. A unification kit is included with all column freezers. The kit contains a sealing mat which helps prevent condensation from forming between the two appliances.

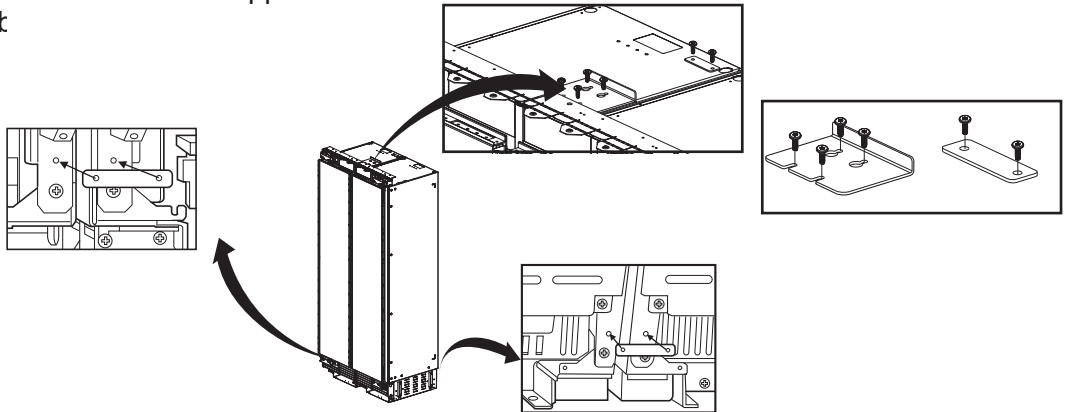
1. Unpack the unification kit and make sure no accessories are missing.
2. Place appliances near to each other in the intended installation configuration.
3. Remove the base panels from both appliances.
4. Attach the included sealing mat on the side of the freezer that faces the refrigerator. (The sealing mat should be between the two appliances after they are connected.)

Install the gray sealing mat over the preinstalled black sealing strips so that the edge of the mat is flush with the back edge of the freezer. This will leave a small space free at the front edge to fit the filler strip between the two appliances.

Additional unification kits can be purchased from Signature Kitchen Suite (part number SKSFJ800P).



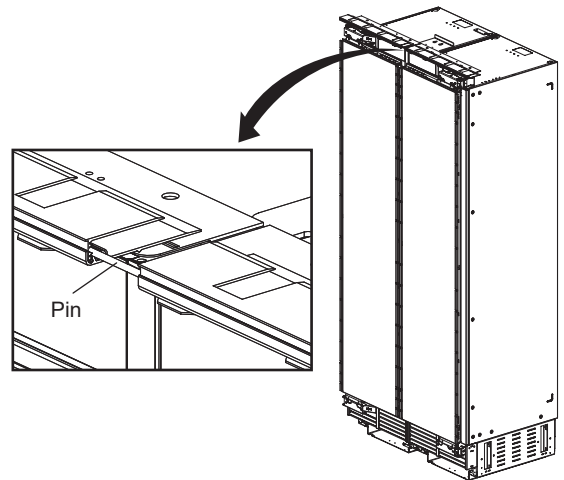
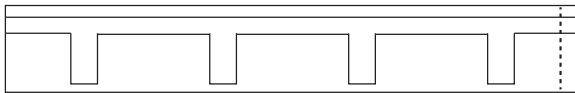
5. Place the appliances right next to each other. Attach the two appliances together by installing connection brackets between the two appliances at top and bottom.



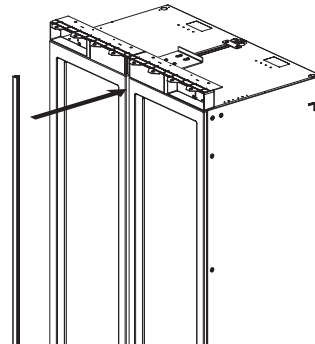
6. Insert the provided pin into both cover rails at top of the combined units.

NOTE:

If retrofit installing 18" and 30" columns in a 47 1/2" wide enclosure, trim 1/4" off of one side of both cover rails.



7. Insert the filler strip in the space between the appliances. The filler strip is included with the unification kit.



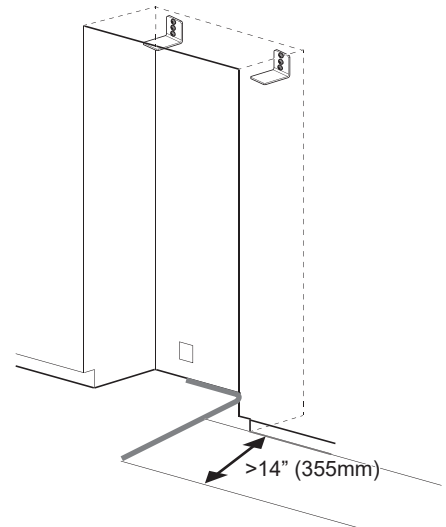
Preparing to Connect the Water Line

NOTE:

Turn off the main water shutoff valve to prevent flooding and property damage.

Install the water line.

Always observe the indicated dimensions to prevent damage to the water line when pushing in the appliance

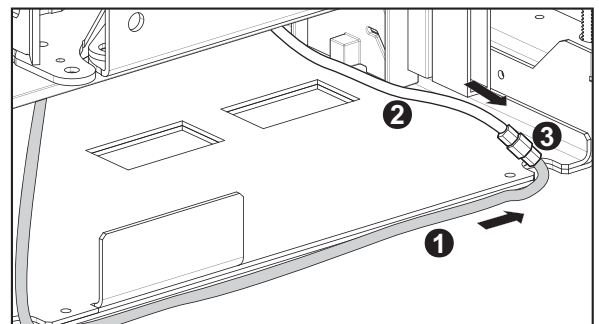
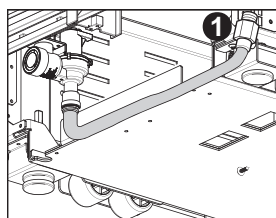
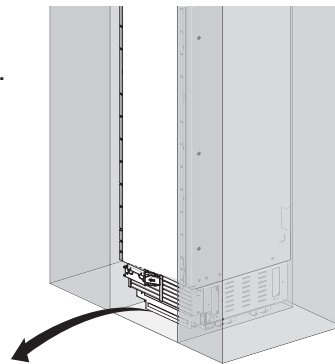


Connecting Water Line

NOTE:

When bending the water line, do not kink it, otherwise there is a risk of leaks and water damage.

1. Remove the cap from the appliance connection (1.).
2. Bend the water line according to the location of the connection on the appliance (2.).
3. Push the union nut and seal onto the water line.
4. Push the end of the water line into the appliance connection and screw on the union nut (3.). Tighten hand-tight.
5. Using the open-ended wrench, tighten the union nut. Do not overturn.



Attaching the Badge

- To install the badge, trace or cut out the template below and place it according to the panel layouts below.
- Align the template at the top corner nearest to the hinge and place the badge.

